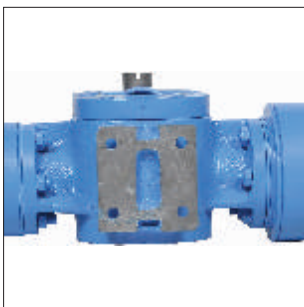
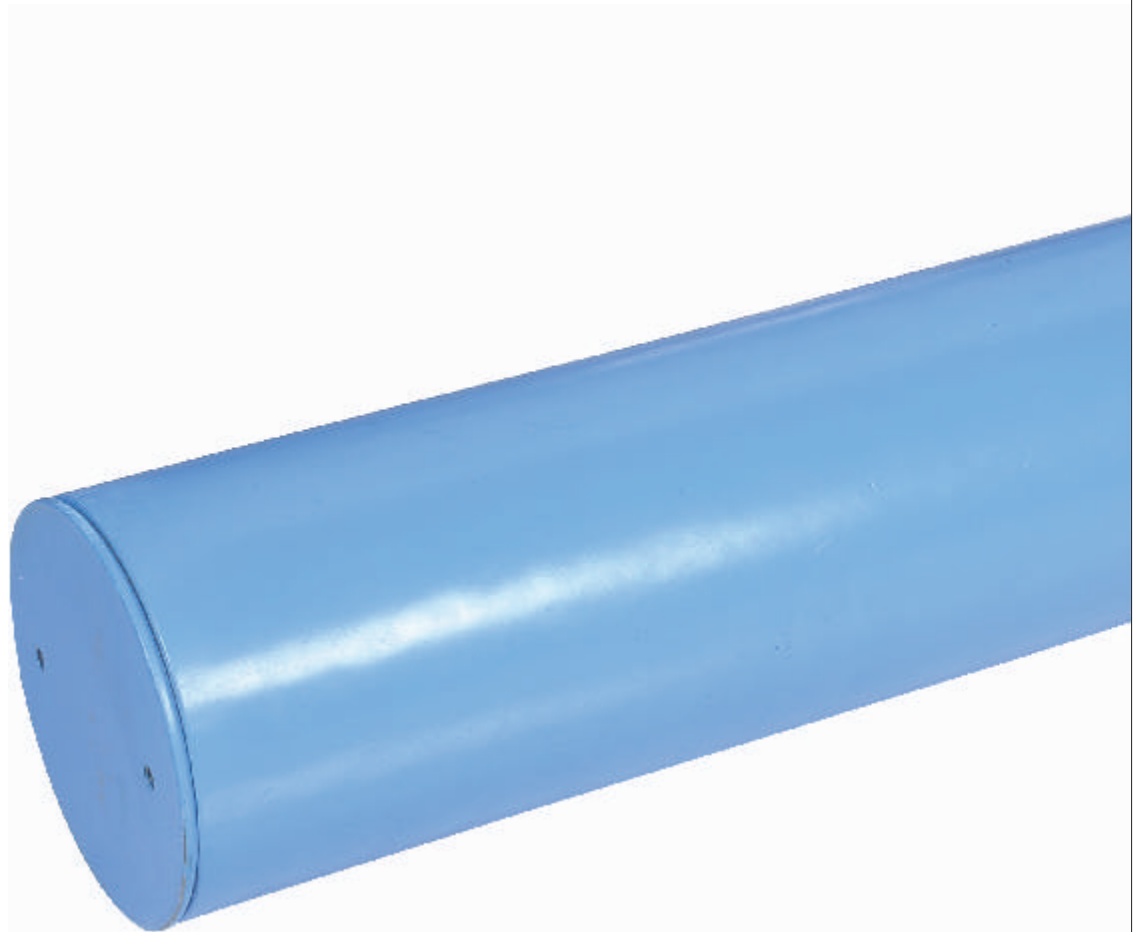


ROTEX perpetuates the tradition of persistent modification in the field of excellence and virtue, with

FEATURES

- Heavy duty, steel body
- Rack and pinion construction
- Zero leak system using unique sealing system
- Extremely rugged actuator
- Excellent for cyclic loads
- Alternatively, pneumatic cylinder can be attached
- A single spring is retained in the 'SAFE GUARD'
- Easily convertible to CW from CCW
- Unique spring retaining system
- An built in bracket for mounting accessories



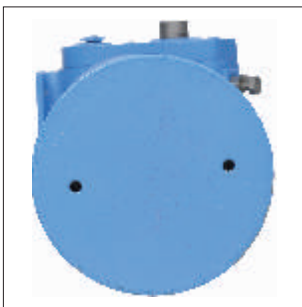
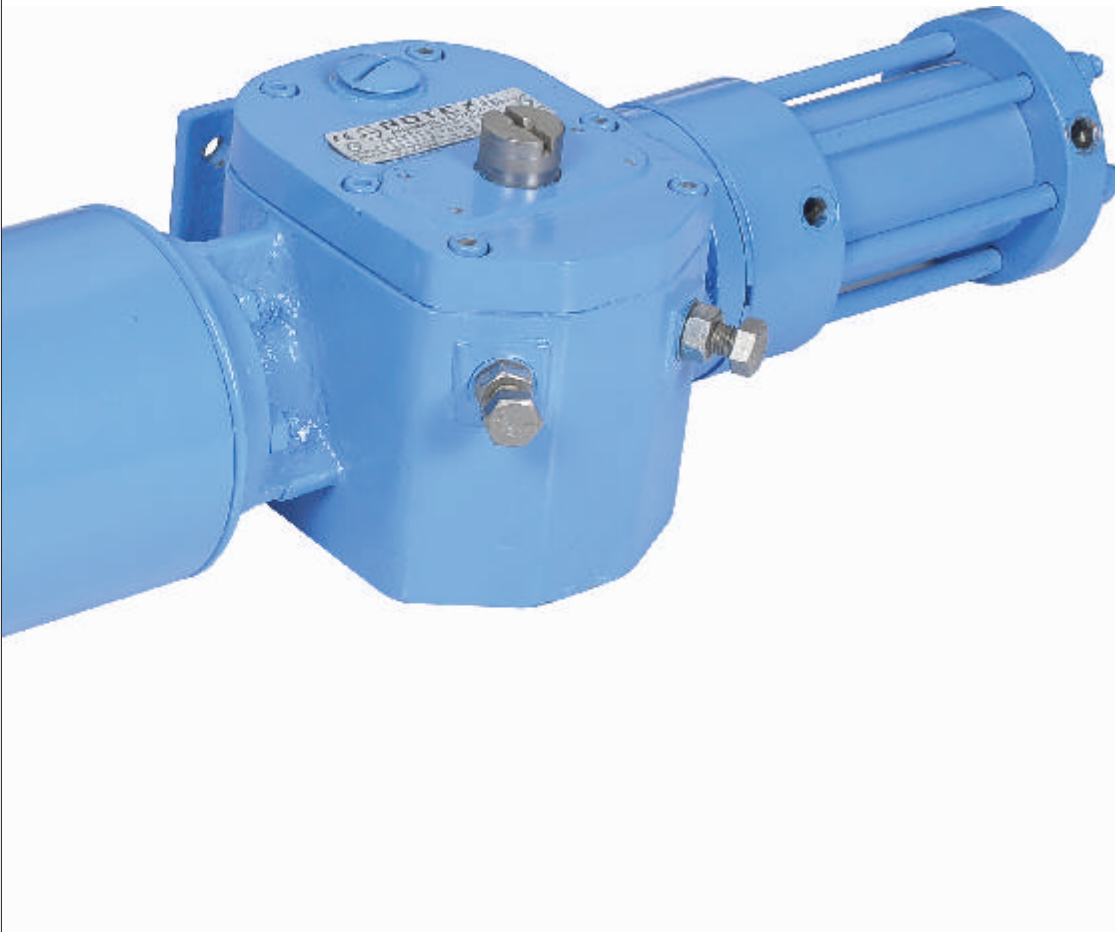
Built in mounting bracket for accessories



Extra heavy duty end stop bolts

the introduction of the Heavy Duty, Rack and Pinion construction, series “HYV”

- Unique hydraulic seal for zero leak
- Maximum pressure 450 bar
- Temperature range -40 °F to +85 °F
- Epoxy painted guaranteed 1000 hrs salt spray test
- One piece pinion for rugged operation
- Pinion on low friction ball bearing
- All wear parts are life time lubricated
- Top switch shaft as per ISO 5211
- Over travel 7° for opening and closing
- Under travel 5° on both sides



Spring Cartridge



Hydraulic Cylinder

HYV SERIES - ROTEX RACK AND PINION ACTUATORS



DOUBLE ACTING TORQUE lb-in

ACTUATOR MODEL	Operating Pressure (psi)						
	355	710	1065	1420	2130	2840	3550
HYV050	1531	3053	4585	6116	9169	12222	15276
HYV063	2422	4853	7275	9705	14549	19402	24255
HYV080	3910	7820	11729	15648	23467	31287	39115
HYV100	6116	12222	18338	24445	36667	48890	61112
HYV1063	6738	13477	20215	26953	40421	53898	67375
HYV1080	10864	21729	32593	43371	65186	86915	108644
HYV1100	16980	33951	50931	67911	101854	135805	169756
HYV1125	26469	53050	79571	106092	159143	212193	265244

WEIGHT IN lb

DOUBLE ACTING ACTUATOR	WEIGHT (in lb)	SPRING RETURN ACTUATOR	WEIGHT (in lb)
HYV050	20	HYV050 - SR	31
HYV063	33	HYV063 - SR	44
HYV080	46	HYV080 - SR	79
HYV100	64	HYV100 - SR	75
HYV1063	68	HYV1063 - SR	90
HYV1080	86	HYV1080 - SR	108
HYV1100	88	HYV1100 - SR	130
HYV1125	128	HYV1125 - SR	156

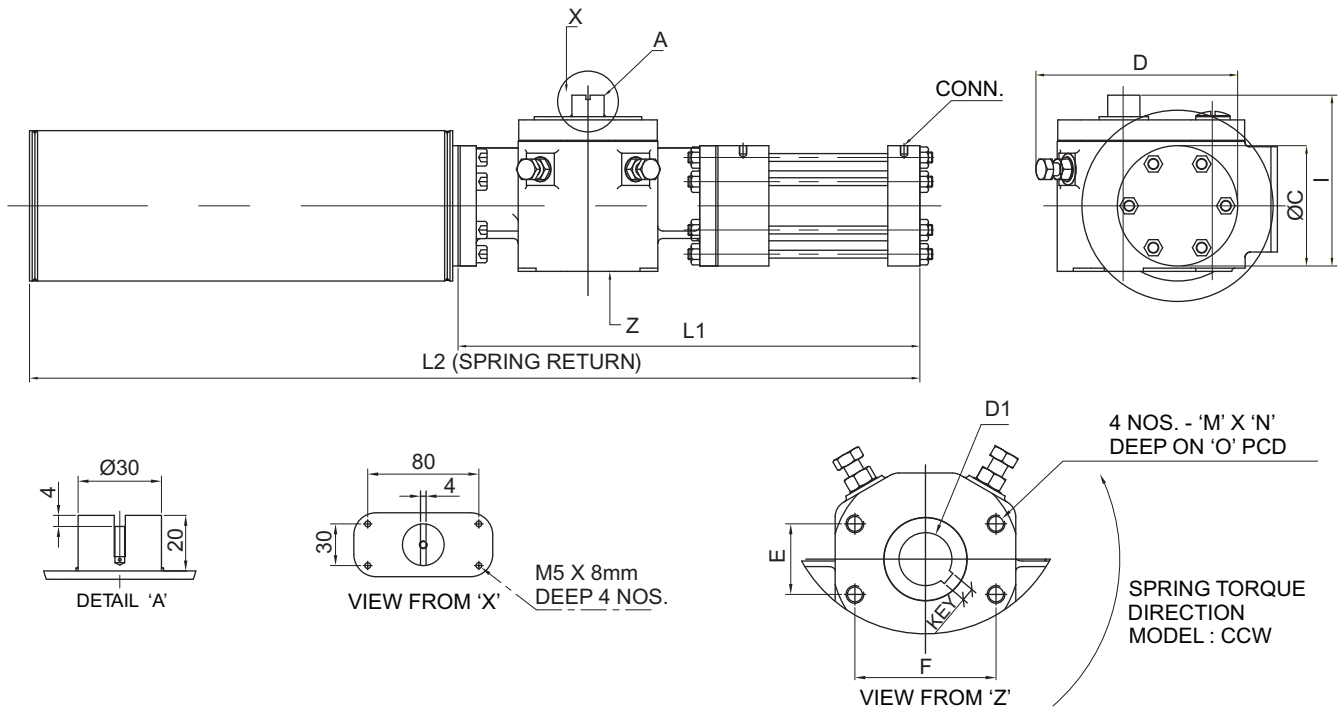
SPRING RETURN TORQUE lb-in

ACTUATOR MODEL	SPRING CODE	SPRING TORQUE		Operating Pressure (psi)							
				1420		2130		2840		3550	
		Min.	Max.	Pressure Torque Output start/ Min./ End (lb-in)							
HYV050	SR5	3028	4758	1358	3088	4412	6142	7465	9195	10518	12248
	SR6	4325	6488	-	-	2682	4844	5735	7897	8788	10951
	SR7	8650	11678	-	-	-	-	545	3572	3598	6626
HYV063	SR5	4325	6488	3218	5380	8062	10224	12914	15077	17767	19930
	SR6	8650	11678	-	-	2872	5899	7724	10752	12577	15605
	SR7	12975	17300	-	-	-	-	2102	6427	6955	11280
HYV080	SR5	8650	11678	3970	6998	11790	14817	19610	22637	27438	30465
	SR6	12975	17300	-	-	6167	10492	13987	18312	21815	26140
	SR7	18165	22490	-	-	-	-	-	-	16625	20950
HYV100	SR5	12975	17300	7145	11470	19367	23692	31590	35915	43812	48137
	SR6	18165	22490	-	-	14177	18502	26400	30725	38622	42947
	SR7	25085	30275	-	-	-	-	-	-	30837	36027
HYV1063	SR5	4325	6488	13728	15890	33934	36096	47411	49573	60887	63050
	SR6	8650	11678	-	-	28744	31771	42221	45248	55697	58725
	SR7	12975	17300	-	-	-	-	2102	40923	50075	54400
HYV1080	SR5	8650	11678	20916	23943	53509	56536	75238	78265	96967	99994
	SR6	12975	17300	-	-	47886	52211	69615	73940	91344	95669
	SR7	18165	22490	-	-	-	-	-	-	86154	90479
HYV1100	SR5	12975	17300	33631	37956	84554	88879	118505	122830	152456	156781
	SR6	18165	22490	-	-	79364	83689	113315	117640	147266	151591
	SR7	25085	30275	-	-	-	-	-	-	139481	144671
HYV1125	SR5	18165	22490	57081	61406	136653	140978	189703	194028	242754	247079
	SR6	25085	30275	-	-	128858	134058	181918	187108	234969	240159
	SR7	32870	40655	-	-	-	-	-	-	224589	232374

VOLUME IN CU. INCH

ACTUATOR	TYPE	VOLUME	ACTUATOR	TYPE	VOLUME
HYV050	DA	16	HYV1063	DA	85
	SR	8		SR	36
HYV063	DA	26	HYV1080	DA	130
	SR	12		SR	59
HYV080	DA	39	HYV1100	DA	189
	SR	20		SR	91
HYV100	DA	65	HYV1125	DA	293
	SR	32		SR	143

DIMENSIONAL DETAILS

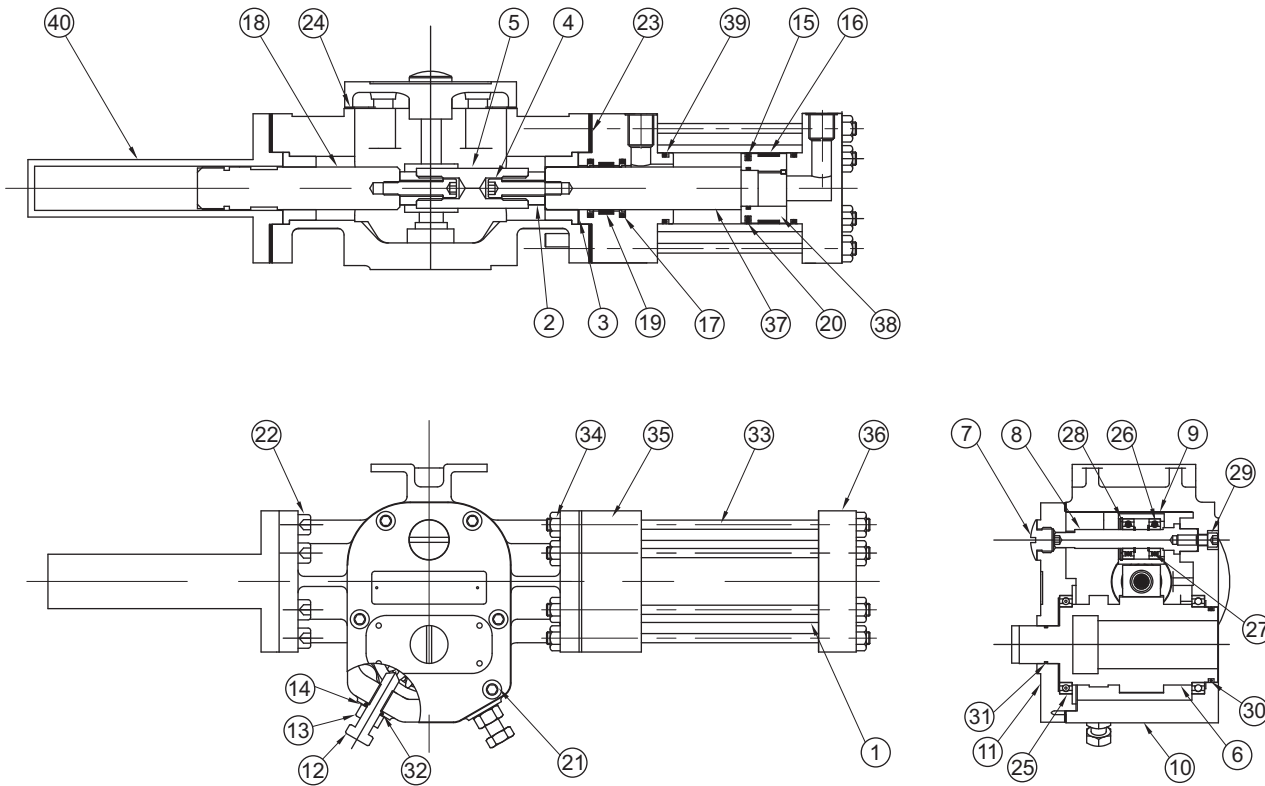


MODEL	C	CONN.	L1	L2	D	E*	F*	I	D1*	M*	N*	KEY*
HYV 050	100	1/4" NPT	428	800	78	50.8	101.6	164	38.1	1/2" - 13TPI UNC	19	9.5 X 95
HYV 063	112	1/4" NPT	428	865	78	50.8	101.6	164	38.1	1/2" - 13TPI UNC	19	9.5 X 95
HYV 080	125	1/4" NPT	450	950	78	50.8	101.6	164	38.1	1/2" - 13TPI UNC	19	9.5 X 95
HYV 100	150	1/4" NPT	450	1120	78	50.8	101.6	164	38.1	1/2" - 13TPI UNC	19	9.5 X 95
HYV 1063	112	1/4" NPT	630	1140	120	76.2	152.4	211	50.4	3/4" - 10TPI UNC	32	12 X 110
HYV 1080	125	1/4" NPT	630	1250	120	76.2	152.4	211	50.4	3/4" - 10TPI UNC	32	12 X 110
HYV 1100	150	1/4" NPT	650	1410	120	76.2	152.4	211	50.4	3/4" - 10TPI UNC	32	12 X 110
HYV 1125	175	1/4" NPT	650	1600	120	76.2	152.4	211	50.4	3/4" - 10TPI UNC	32	12 X 110

* Special dimensions can be built on request

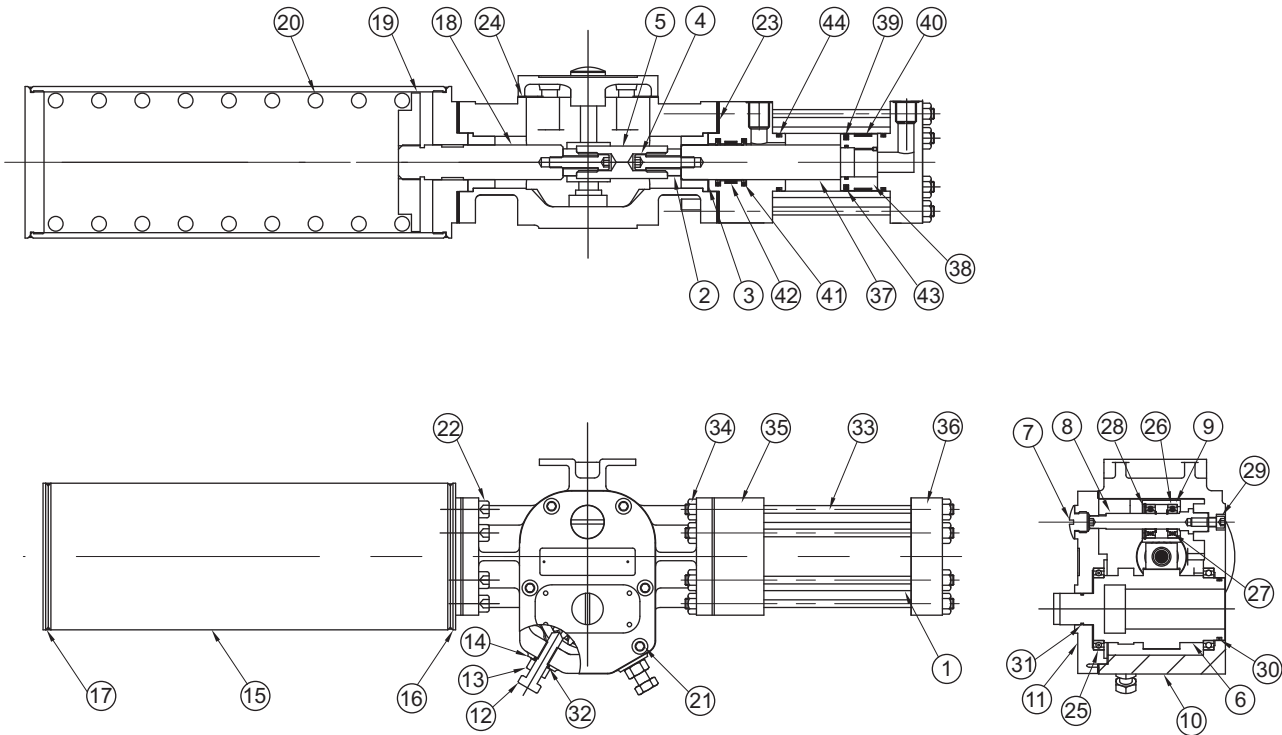
MATERIAL OF CONSTRUCTION

DOUBLE ACTING



NO	DESCRIPTION	QTY	MATERIAL	NO	DESCRIPTION	QTY	MATERIAL
1	TUBE	1	-	21	HEX SOCKET HEAD SCREW (H.T.)	6	-
2	CONNECTING NUT	2	EN19	22	HEX SOCKET HEAD SCREW (H.T.)	6	-
3	BEARING BUSHING	2	PHOSPHOR BRONZE	23	GASKET	2	NBR
4	HEX SOCKET HEAD SCREW (H.T.)	2	-	24	GASKET FOR CENTRAL BLOCK	1	KEVLAR FIBER SHEET
5	RACK	1	CARBON STEEL	25	BALL BEARING	1	-
6	PINION	1	EN8	26	BALL BEARING	1	-
7	PLUG FOR COVER	1	ALUMINIUM	27	INTERNAL CIRCLIP	2	-
8	OFFSET ROLLER	1	M.S.	28	EXTERNAL CIRCLIP	1	-
9	OFFSET GUIDE	1	M.S.	29	HEX SOCKET HEAD SCREW (H.T.)	1	-
10	CENTRAL BOX	1	DUCTILE IRON	30	O RING	1	NBR
11	CENTRAL BLOCK COVER	1	DUCTILE IRON	31	O RING	1	NBR
12	END STOP BOLT	2	EN8	32	O RING	2	NBR
13	NUT FOR STOP BOLT	2	-	33	TIE ROD	6	M.S.
14	WASHER FOR STOP BOLT	2	-	34	NUT FOR TIE ROD	12	-
15	O RING	1	NBR	35	FRONT COVER	1	M.S.
16	PISTON GUIDE	1	-	36	REAR COVER	1	-
17	O RING	1	NBR	37	PISTON ROD	1	EN8
18	CONNECTING ROD	1	EN8	38	PISTON	1	-
19	ROD GUIDE	1	-	39	O RING	1	NBR
20	PISTON SEAL	1	NBR	40	COVER FOR CONNECTING ROD	1	M.S.

SPRING RETURN



NO	DESCRIPTION	QTY	MATERIAL	NO	DESCRIPTION	QTY	MATERIAL
1	TUBE	1	-	23	GASKET	2	NBR
2	CONNECTING NUT	2	EN19	24	GASKET FOR CENTRAL BLOCK	1	KEVLAR FIBER SHEET
3	BEARING BUSHING	2	PHOSPHOR BRONZE	25	BALL BEARING	1	-
4	HEX SOCKET HEAD SCREW (H.T.)	2	-	26	BALL BEARING	1	-
5	RACK	1	CARBON STEEL	27	INTERNAL CIRCLIP	2	-
6	PINION	1	EN8	28	EXTERNAL CIRCLIP	1	-
7	PLUG FOR COVER	1	ALUMINUM	29	HEX SOCKET HEAD SCREW (H.T.)	1	-
8	OFFSET ROLLER	1	M.S.	30	O RING	1	NBR
9	OFFSET GUIDE	1	M.S.	31	O RING	1	NBR
10	CENTRAL BOX	1	DUCTILE IRON	32	O RING	2	NBR
11	CENTRAL BLOCK COVER	1	DUCTILE IRON	33	TIE ROD	6	M.S.
12	END STOP BOLT	2	EN8	34	NUT FOR TIE ROD	6	-
13	NUT FOR STOP BOLT	2	-	35	FRONT COVER	1	M.S.
14	WASHER FOR STOP BOLT	2	-	36	REAR COVER	1	-
15	SPRING TUBE	1	M.S.	37	PISTON ROD	1	EN8
16	SPRING COVER FRONT	1	M.S.	38	PISTON	1	-
17	SPRING COVER REAR	1	M.S.	39	O RING	1	NBR
18	CONNECTING ROD	1	EN8	40	PISTON GUIDE	1	-
19	SPRING RETAINER	1	M.S.	41	O RING	1	NBR
20	SPRING	1	EN47	42	ROD GUIDE	1	-
21	HEX SOCKET HEAD SCREW (H.T.)	6	-	43	PISTON SEAL	1	NBR
22	HEX SOCKET HEAD SCREW (H.T.)	6	-	44	O RING	1	NBR