



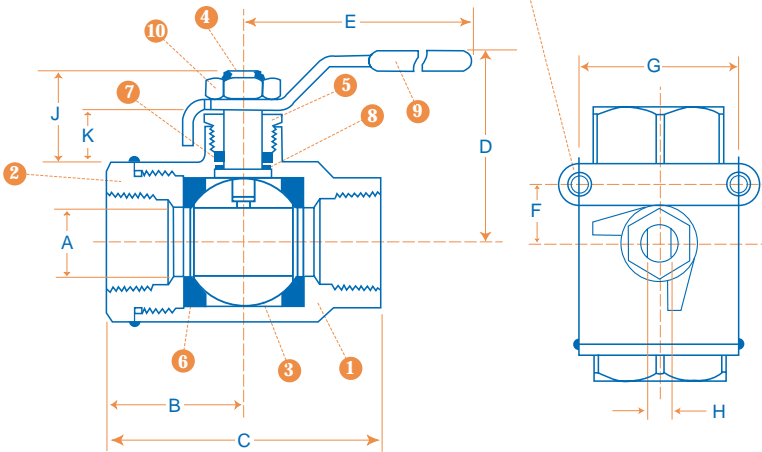
MOUNTING HOLES
 1/4" - 1"10-24 NC
 1-1/4" - 2"1/4-20 NC

FEATURES

- ONE PIECE - SEAL WELDED CONSTRUCTION
- 2000 WOG Rating on All Sizes
- 150 PSIG Saturated Steam Rating
- All Models are NACE MR-01-75 Compliant
- CF8M Bodies and Tailpieces, 316 Stainless Steel Internals
- Available in Full Alloy-20 (CN7M) Construction
- Available in Male x Female Construction in 1/4"-1" Sizes
- Standard Actuator Mounting Pads on all Sizes
- Standard Stainless Steel Locking Handles
- Locking Oval Handles Available in Stainless Steel
- The Ultimate in Safe Design!

RATINGS

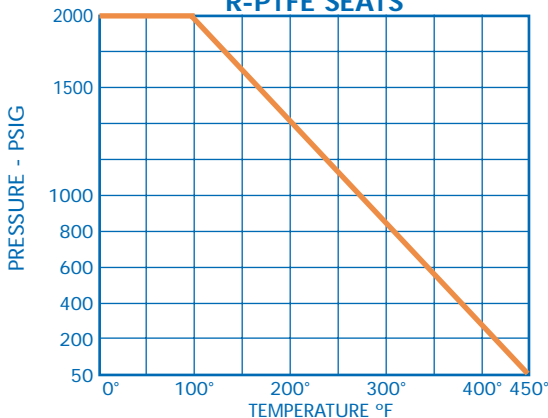
2000 PSIG @100F WATER, OIL, GAS
 150 PSIG SATURATED STEAM



MATERIALS OF CONSTRUCTION

PART	DESCRIPTION	STANDARD MATERIAL	OPTIONAL MAT'L(S)
1	BODY	ASTM A351 Gr. CF8M	ASTM A351 Gr. CN7M
2	TAILPIECE	ASTM A351 Gr. CF8M	ASTM A351 Gr. CN7M
3	BALL	ASTM A276 Gr. 316	Alloy 20
4	STEM	ASTM A276 Gr. 316	Alloy 20
5	PACKING NUT	ASTM A276 Gr. 316	Alloy 20
6	SEATS (2)	R-PTFE	Steam Seats, PEEK
7	PACKING	R-PTFE	Graphite, PEEK
8	THRUST WASHER	R-PTFE	PEEK
9	HANDLE ASSY	Stainless Steel w/Vinyl	Stainless Locking Oval
10	HANDLE NUT	Stainless Steel	

R-PTFE SEATS



DIMENSIONS, WEIGHTS, CV FACTORS & MAXIMUM OPERATING TORQUE

SIZE	A	B	C	D	E	F	G	H	J	K	WEIGHT LBS.	Cv	MAX. TORQUE
1/4-3/8"	.38	1.1	2.2	1.8	4.4	.50	1.12	.20	.86	.50	.50	9	40 IN-LB
1/2"	.50	1.2	2.4	2.0	4.4	.50	1.12	.20	.96	.55	.66	16	75 IN-LB
3/4"	.69	1.4	2.8	2.4	5.9	.87	1.38	.28	1.32	.71	1.32	27	120 IN-LB
1"	.87	1.6	3.2	2.6	5.9	.87	1.38	.28	1.31	.70	1.81	42	140 IN-LB
1-1/4"	1.0	1.8	3.6	2.8	7.8	.93	1.50	.35	1.42	.76	2.51	52	250 IN-LB
1-1/2"	1.3	2.1	4.1	3.0	7.8	.93	1.50	.35	1.42	.76	3.74	80	300 IN-LB
2"	1.5	2.3	4.6	3.2	7.8	.93	1.50	.35	1.42	.77	5.53	115	320 IN-LB



SERIES S2-SS

NUMBERING SYSTEM ... HOW TO ORDER:

S2 R S S R R SL TT 100

SERIES	PORT SIZE	BODY MATERIAL	BALL/STEM MAT'L	SEAT MAT'L	SEAL MAT'L	HANDLE TYPE	ENDS	SIZE
S2 = SEAL WELDED 2000WOG	F = FULL (1/4"-1/2") R = REDUCED (3/4"-2")	S = STAINLESS (CF8M) A = ALLOY 20 (CN7M)	S = 316 STAINLESS A = ALLOY 20	R = R-PTFE P = PEEK Z = STEAM SEATS	R = R-PTFE P = PEEK G = GRAPHITE	SL = STAINLESS LATCH LOCK SO = STAINLESS OVAL LO = STAINLESS LOCKING OVAL PA = DOUBLE ACTING PNEUMATIC SA = SPRING RETURN PNEUMATIC	TT = FNPT MT = MxF NPT	025 = 1/4" 038 = 3/8" 050 = 1/2" 075 = 3/4" 100 = 1" 125 = 1-1/4" 150 = 1-1/2" 200 = 2"

OTHER QUADRANT PRODUCTS ... *to solve your Fluid Control Problems:*

- SERIES 20-NP** Forged Brass 400WOG Reduced Port Ball Valves
- SERIES 20-BP & BS** Cast Bronze 600WOG Full & Reduced Port Ball Valves with Brass or 316SS Trim
- SERIES 20-CC & CS** Carbon Steel Bar Stock 2000WOG Reduced Port Ball Valves with Carbon or 316SS Trim
- SERIES 21** Stainless Steel 2-Piece 1000WOG Full Port Ball Valves
- SERIES S1** Seal Welded Stainless Steel 1000WOG Full Port Ball Valves
- SERIES S2** Seal Welded Stainless Steel 2000WOG Reduced Port Ball Valves
- SERIES SB** Seal Welded Stainless Steel 2160WOG Reduced Port Ball Valves
- SERIES S3** Seal Welded Stainless Steel 3600WOG Reduced Port and Full Port Ball Valves
- SERIES S5** Seal Welded Stainless Steel 5000WOG Reduced and Full Port Ball Valves
- SERIES S6** Seal Welded Stainless Steel 6000WOG Reduced Port and Full Port Ball Valves with FNPT, MxF NPT & Socket Weld Ends
- SERIES M1** 3-Piece 4-Bolt Maintenance Design Brass 600WOG Full Port Ball Valves with Plated Brass or 316SS Trim
- SERIES UU** 3-Piece Double Union High Pressure Full Port Ball Valves in Carbon and Stainless Steel Construction with FNPT or Socket Weld Ends
- SERIES BFV-D** 2"- 48" Ductile Iron Butterfly Valves with Ductile, Aluminum Bronze, or CF8M Discs and Buna-N, EPDM or Viton Seats- Lever, Gear Operators or Pneumatic/Electric Actuators
- SERIES BFV-A** 2"- 12" A-395 Ductile Iron Butterfly, Split Shaft, all Disc Materials and Buna-N or Viton Seats, NACE Compliant, Lever, Gear Operators or Electric/Pneumatic Actuators