

The Model 3100P (Figure 1) and 3100P1 (Figure 2) are pneumatic, float-operated switches for liquid level control. The 3100P is a 2-way normally-open or normally-closed pneumatic switch, and the 3100P1 is a 3-way block-and-bleed switch. The 3100P and 3100P1 are rated for high pressure applications, and the polystyrene float will effectively and consistently operate the switch at specific gravities as low as 0.50. Both models can be mounted directly onto the vessel nozzle or into an external float chamber (Figure 3).

Specifications:

Process Connections

2" MNPT

Max Operating Pressure

1500 psig (103 Bar) w/steel or SST float
2000 psig (138 Bar) w/polystyrene float

Operating Temperature

-20 to 300°F (-29 to 200°C)

Supply Pressure Connection

1/8" FNPT

Exhaust Connection

1/4" FNPT

Supply Pressure

30 to 60 psig

Materials of Construction

Body: 1018 Carbon Steel, cadmium-plated
316 SST (NACE option)

Float: Polystyrene
316 SST (Hi temp option) - 0.68 SG min.

Seals: Viton

Replacement Parts

31008 Flapper
31038 Cam
31126 Polystyrene Float
31128 Optional SST Float
31040 Valve Stem
85020 Valve Seat Assembly, includes:
31044 Valve Seat
31046 Viton Seat
31048 Adjusting Nut
31042 Valve Actuator Spring
31010 Set Screw
85022 Counter Balance Assembly, includes:
31032 Counter Balance
31026 Pivot Tube
31002 Hinge Pin
31012 Nylon Washers (2)

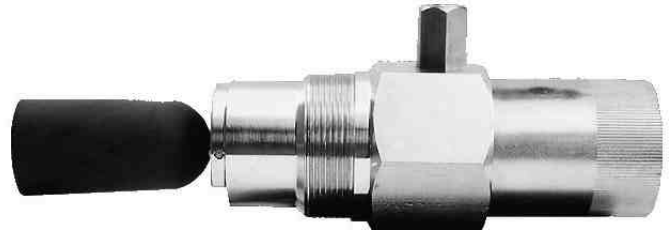


Figure 1. Model 3100P 2-way Level Switch

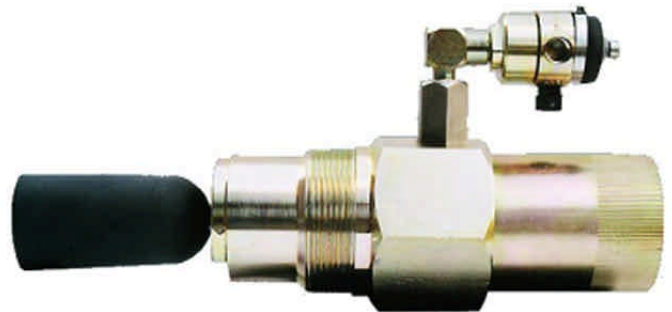


Figure 2. Model 3100P1 3-way Level Switch

Standard Model	Description
3100P	2-Way Float Switch - CS
3100P1	3-Way Float Switch - CS
3100P-SS	2-Way Float Switch - SST
3100P1-SS	3-Way Float Switch - SST

Options	
Part Number	Description
31128	SST Float, 0.68 SG
31124	External Float Chamber
31130	1" Float Extension



Dimensions:

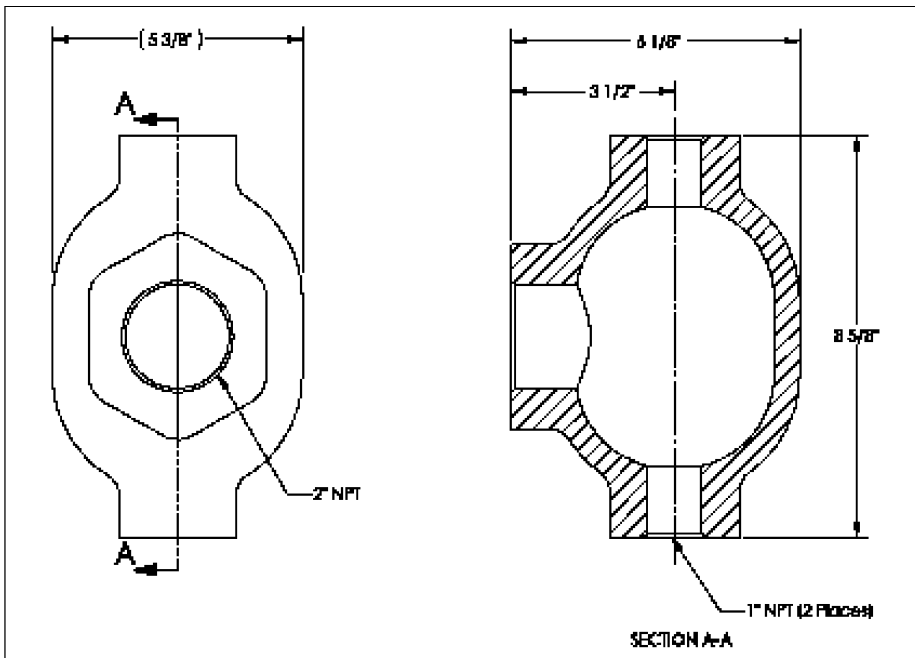
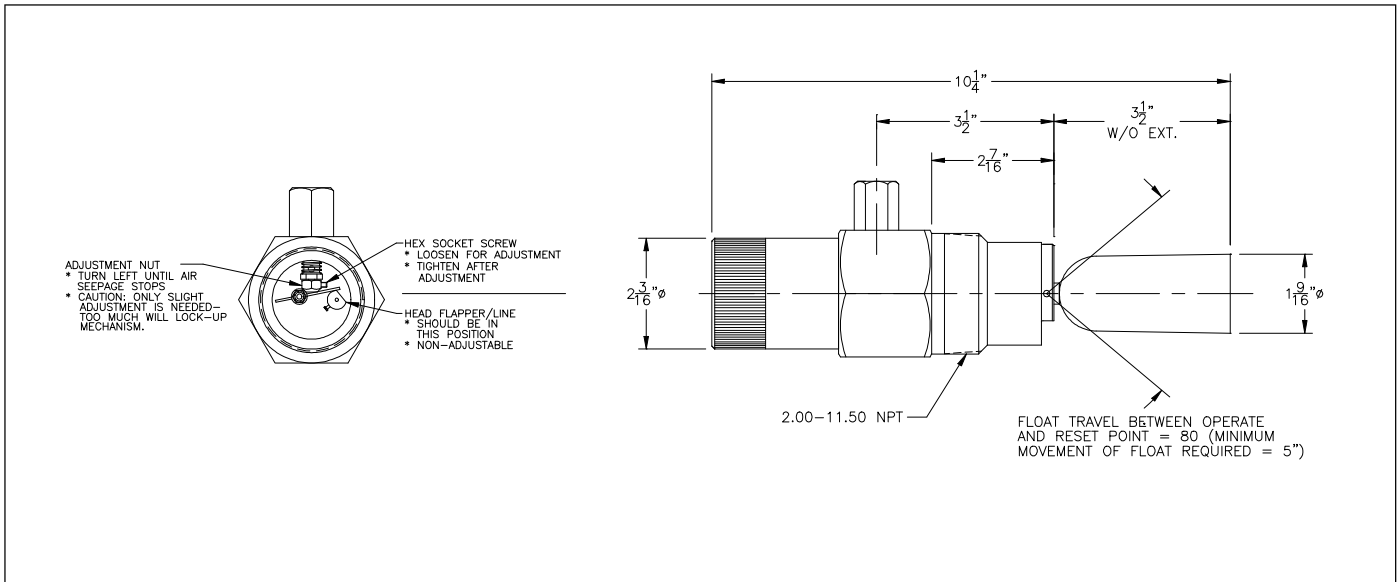


Figure 3. External Float Chamber (2000 psig Max.)

While this information is presented in good faith and believed to be accurate, Mallard Control Company does not guarantee results based upon such information. Mallard Control Company reserves the right to change the design or specifications of these products without notice.

Mallard Control Company, Inc.

4970 Washington Boulevard
 Beaumont, Texas, USA 77707
 409 842-5392 Phone
 409 842-8165 FAX
 www.MallardControl.com