

The Model 3208-V is designed to be used in conjunction with the 3200 / 3201 Liquid Level Controller, in applications where internal obstructions prevent direct installation of the level control, or to isolate the level control from fluid turbulence within the vessel.

Features:

- Rotatable Head Design
- Available with threaded or flanged controller and vessel connections.
- NACE MR-01-75 compliance option is available upon request.

Specifications:

Level Controller Connection

2", Threaded (FNPT) or Flanged

Vessel Connection Size

1", 1-1/2", or 2"

Vessel Connection Style / Pressure Rating¹

Threaded (FNPT)	1480 psig (102 bar)
Socket Weld	1480 psig (102 bar)
Butt Weld	1480 psig (102 bar)
150# RF	275 psig (19 bar)
300# RF	740 psig (51 bar)
600# RF	1480 psig (102 bar)
600# RTJ	1480 psig (102 bar)
900# RF	2220 psig (152 bar)
900# RTJ	2220 psig (152 bar)
1500# RF	3750 psig (259 bar)
1500# RTJ	3750 psig (259 bar)
2500# RF	6170 psig (426 bar)
2500# RTJ	6170 psig (426 bar)

Materials of Construction²

Chamber and Dome:	Carbon Steel or 316 SST
Studs:	ASTM A193-B7 ASTM A193-B8M (optional)
Nuts:	ASTM A194-2H ASTM A193-8M (optional)
Gasket:	316 / Grf C.S. Gr. Inc. / Grf 316SST Gr. (optional)

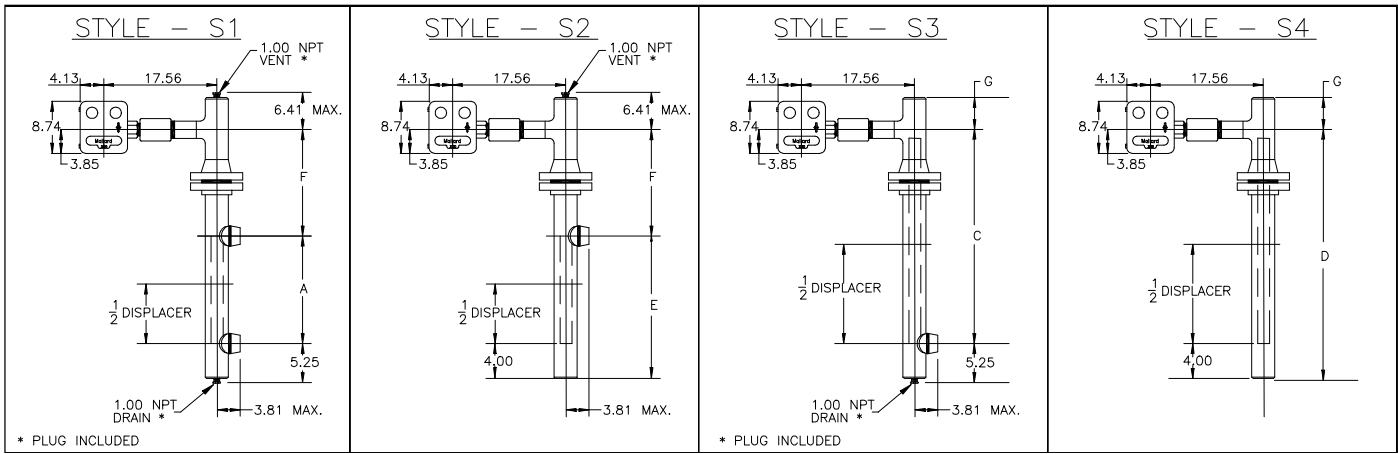
1. Maximum pressure ratings @ 100°F (38°C).
2. Materials certified to meet NACE MR-01-75 specifications are available upon request.



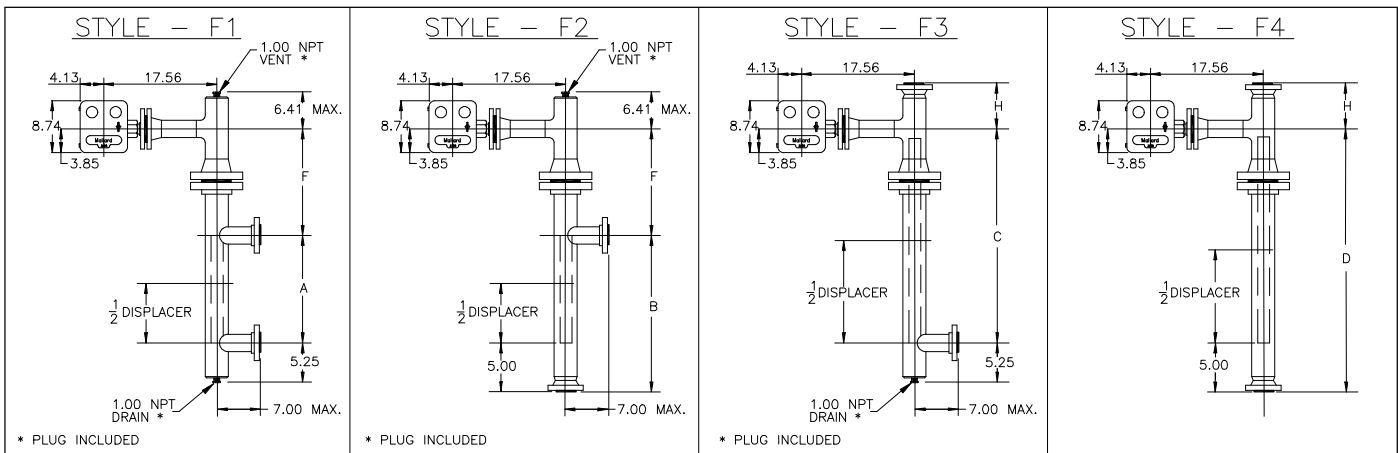
ISO 9001
Registered Company



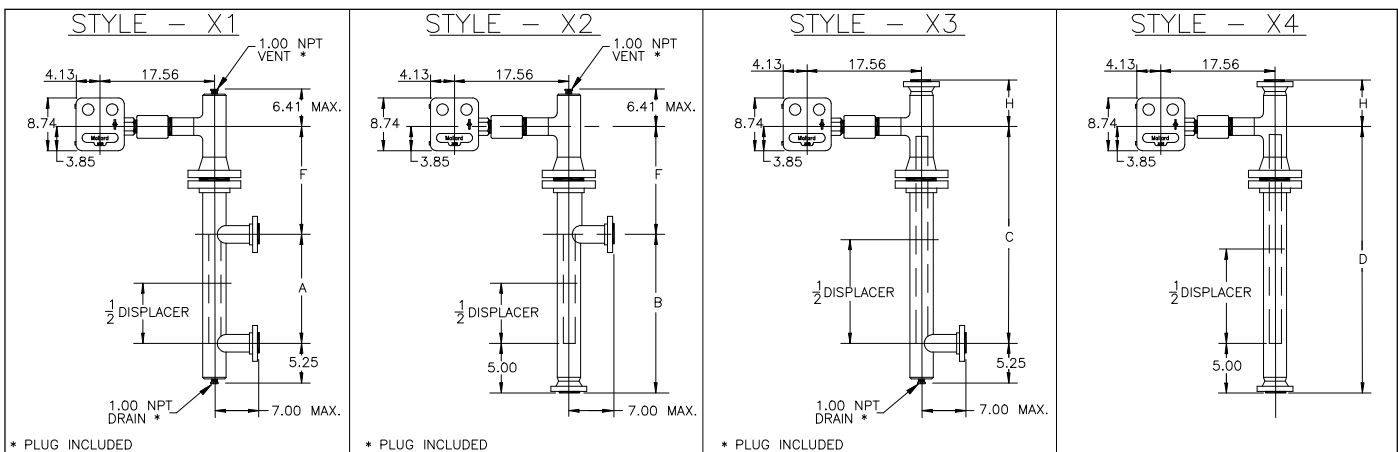
Dimensions - Threaded Controller Connection / Threaded Vessel Connections



Dimensions - Flanged Controller Connection / Flanged Vessel Connections



Dimensions - Threaded Controller Connection / Flanged Vessel Connections (Hybrid)



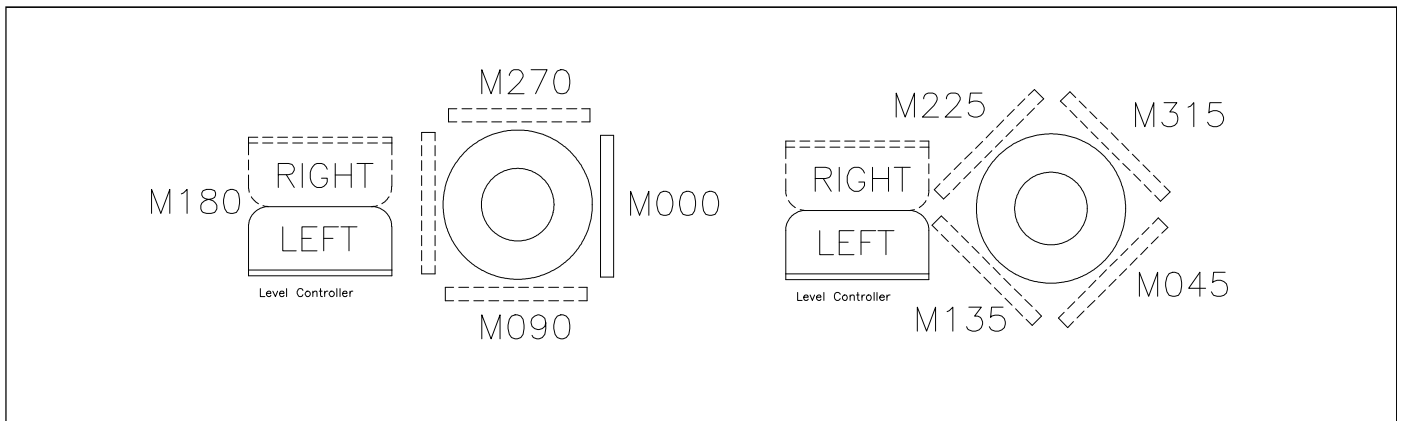
Dimensions:

Dim	Style	Displacer Length	Inches
A	S1, F1, X1	14	14
		32	32
B	F2, X2	14	19
		32	37
C	S3, F3 X3	14	15
		32	33
D	S4, F4, X4	14	20
		32	38
E	S2	14	18
		32	36

Dim	Style	Chamber Size	Vessel Connection		Inches
			Size	Rating	
F	S1, S2, F1, F2, X1, X2	3"	All	ANSI 150, 300, 600	14.25
		4"	All	ANSI 150, 300	
G	S3, S4		3"	All	All
		4"	All	All	5.72
H¹	F3, F4, X3, X4	3"	1"	150# RF	7.1
				300# RF	7.35
				600# RF	7.6
			1-1/2"	150# RF	7.35
				300# RF	7.6
				600# RF	7.91
		2"	150# RF	7.41	
			300# RF	7.66	
			600# RF	8.04	
		4"	1"	150# RF	7.91
				300# RF	8.16
				600# RF	8.41
			1-1/2"	150# RF	8.16
				300# RF	8.41
				600# RF	8.72
		2"	150# RF	8.22	
			300# RF	8.47	
			600# RF	8.85	

1. Dimensions for chambers with configurations not shown (i.e., flange rating above ANSI 600, RTJ flanged, etc.) are available upon request. Please consult factory or your local Mallard representative.

Vessel Connection Orientation Options (with Corresponding Model Codes)



Model Number Information

Sample Model Number: **3208 - V3 S1 - 20 FS 5 - 14 M000**

CHAMBER SIZE		CODE		
Vertical 3"		V3		
Vertical 4"		V4		
CHAMBER STYLE	CODE	CHAMBER STYLE	CODE	
Flg'd, Side / Side	F1	Hybrid, Side / Side	X1	
Flg'd, Side / Bottom	F2	Hybrid, Side / Bottom	X2	
Flg'd, Top / Side	F3	Hybrid, Top / Side	X3	
Flg'd, Top / Bottom	F4	Hybrid, Top / Bottom	X4	
Thrd'd, Side / Side	S1	Refer to Page 2		
Thrd'd, Side / Bottom	S2			
Thrd'd, Top / Side	S3			
Thrd'd, Top / Bottom	S4			
CHAMBER MATERIAL		CODE		
Carbon Steel		-		
Carbon Steel - NACE MR-01-75		N		
316 SST		S		
316 SST - NACE MR-01-75		T		
VESSEL CONNECTION SIZE		CODE		
1"		10		
1-1/2"		15		
2"		20		
VESSEL CONNECTION STYLE		CODE		
Butt-Weld - Sch. 40		B4		
Butt-Weld - Sch. 80		B8		
Butt-Weld - Sch. 160		B1		
Butt-Weld - Sch. XXH		BX		
Screwed Female (FNPT)		FS		
Raised Face Flange		RF		
Ring Type Joint		RJ		
CHAMBER RATING			CODE	
ANSI Class	Flanged Connections	Screwed Connections		
ANSI 150	V3 or V4	--	1	
ANSI 300	V3 or V4	--	3	
ANSI 600	V3 or V4	V3 or V4	6	
ANSI 900	V4 only	--	9	
ANSI 1500	V4 only	--	5	
ANSI 2500	V4 only	V4 only	2	
STUD & GASKET MATERIAL				
Stud / Nut	Raised Face Gasket	Ring Joint Gasket	CODE	
ASTM A194-2H	316 SST / Grafoil C.S. Gr.	C.S. Solid	-	
ASTM A194-2H (NACE)	Inc. / Grafoil C.S. Gr. (NACE)	C.S. Solid (NACE)	N	
ASTM A194-SS8M	316 SST / Grafoil 316 SST	316 SST Solid	S	
ASTM A194-SS8M (NACE)	Inc. / Grafoil 316 SST (NACE)	316 SST Solid (NACE)	T	
DISPLACER LENGTH			CODE	
14" Long			14	
32" Long			32	
Special			(Length)	
VESSEL CONNECTION ORIENTATION		CODE	VESSEL CONNECTION ORIENTATION	CODE
0° with LLC @ 180°		M000	45° with LLC @ 180°	M045
90° with LLC @ 180°		M090	135° with LLC @ 180°	M135
180° with LLC @ 180°		M180	225° with LLC @ 180°	M225
270° with LLC @ 180°		M270	315° with LLC @ 180°	M315

While this information is presented in good faith and believed to be accurate, Mallard Control Company does not guarantee results based upon such information. Mallard Control Company reserves the right to change the design or specifications of these products without notice.

Mallard Control Company, Inc.

4970 Washington Boulevard
 Beaumont, Texas, USA 77707
 409 842-5392 Phone
 409 842-8165 FAX
 www.MallardControl.com