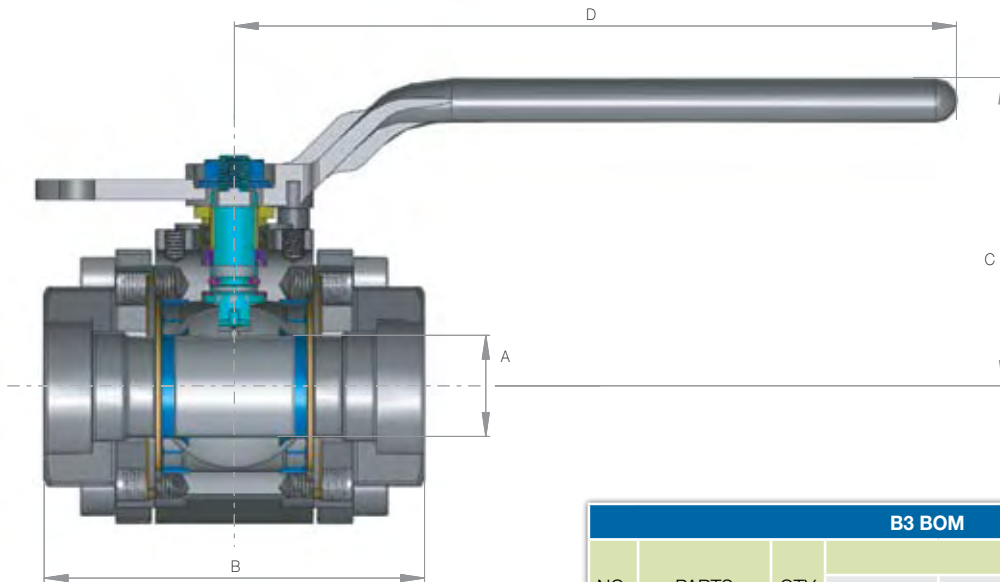


# B3 class 900 NPT / SW Ends



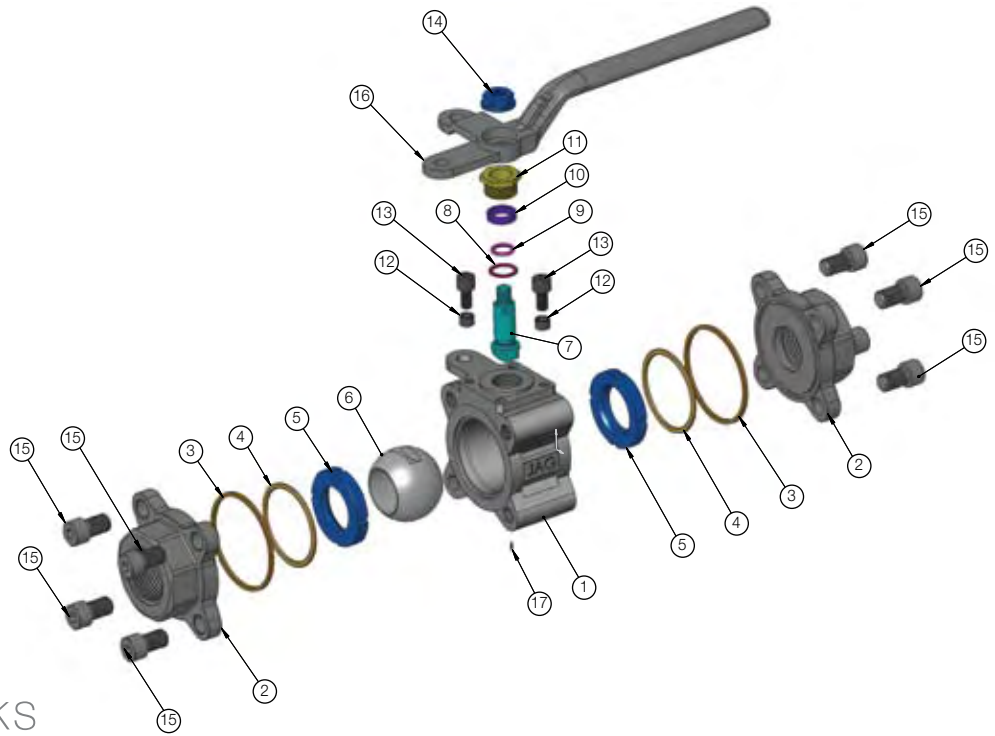
## T2 Product Features

- Bolted 3-piece Construction
- Swing-out Body Design
- Fully Enclosed Body Bolts
- Full Port
- NPT or SW End Connections
- ASME B16.34
- NACE MR0175
- Blow-out Proof Stem
- Locking Handle
- Dual Stem Seals
- CE Marking / PED to 97/23/EC
- Fire Safe Design

B3 BOM						
NO.	PARTS	QTY	SERVICE			
			STANDARD	NACE	LOW TEMP NACE	STAINLESS STEEL
1	Body	1	WCB	WCB	LCC	CF8M
2	Cap	2	WCB	WCB	LCC	CF8M
3	Gasket	2	Graphite	Graphite	Graphite	Graphite
4	O-ring	2	NBR	Viton	Viton	Viton
5	Seat	2	RTFE	RTFE	RTFE	RTFE
6	Ball	1	CF8M	CF8M	CF8M	CF8M
7	Stem	1	4130	316 SS	316 SS	316 SS
8	Thrust Washer	1	RTFE	RTFE	RTFE	RTFE
9	O-ring	1	NBR	Viton	Viton	Viton
10	Packing	1	Graphite	Graphite	Graphite	Graphite
11	Gland	1	304 SS	304 SS	304 SS	304 SS
12	Washer	2	304 SS	304 SS	304 SS	304 SS
13	Bolt	2	A2-70	A2-70	A2-70	A2-70
14	Stem Nut	1	Carbon Steel Plated	Carbon Steel Plated	Carbon Steel Plated	304 SS
15	Cap Screw	8	A193-B7	A193-B7M	A320-L7M	A193-B8
16	Handle	1	WCB	WCB	WCB	CF8

B3 Dimensions														
Size		Bore	A		B		C		D		E		Weight.	
inch	mm	FP	inch	mm	inch	mm	inch	mm	inch	mm	inch	mm	lbs.	kg.
1/4"	6.4	FP	0.05	12.7	2.9	73	2.7	68	5.9	150	1.8	46.5	2	1
3/8"	9.5	FP	0.05	12.7	2.9	73	2.7	68	5.9	150	1.8	46.6	2	1
1/2"	12.7	FP	0.05	12.7	2.9	73	2.7	68	5.9	150	1.8	46.7	2	1
3/4"	19.1	FP	0.75	19.05	3	78	2.9	72.5	5.9	150	2	51	3	1.4
1"	25.4	FP	1	25.4	3.8	98	3	76	7.1	180	2.4	60	5.3	2.4
1-1/4"	32	FP	1.5	38	4.8	122	3.9	98.5	9.3	237	3.2	81	—	—
1-1/2"	38.1	FP	1.5	38	5.4	137	3.9	98.5	9.3	237	3.2	81	12.3	5.6
2"	50.8	FP	2	50	5.8	148	4.2	107.5	9.3	237	3.5	90	21	9.5

Dimensions +/- 0.059 in (+/- 1.5mm)

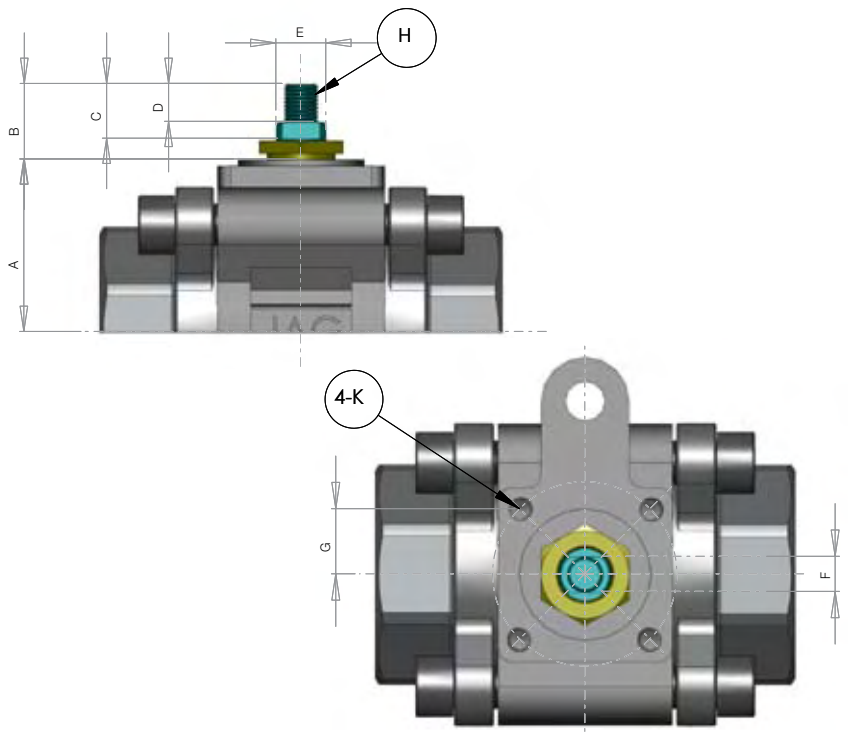


## B3 topworks

Top Works																	
Bore	A		B		C		D		E		F		G		H	K	ISO 5211
	inches	mm	inches	mm	inches	mm	inches	mm	inches	mm	inches	mm	inches	mm	mm	mm	Mounting
1/2"	1.28	32.5	0.59	15	0.41	10.5	0.28	7	0.39	10	0.26	6.5	0.45	11.3	M6x1	M5X 0.8-6H	--
3/4"	1.38	35.0	0.62	15.8	0.41	10.5	0.28	7	0.39	10	0.26	6.5	0.45	11.3	M6x1	M5X 0.8-6H	--
1"	1.61	41.0	0.75	19	0.51	13.0	0.35	9	0.47	12	0.33	8.5	0.58	14.8	M8x1.25	M6X1-6H	--
1-1/2"	2.21	56.0	0.98	25	0.71	18.0	0.43	11	0.59	15	0.43	11	0.70	17.7	M10x1.5	M6X1-6H	F05
2"	2.56	65.0	0.98	25	0.71	18.0	0.43	11	0.59	15	0.43	11	0.70	17.7	M10x1.5	M6X1-6H	F05

## B3 break torques & mounting pattern

B3 Class 900 Break Torque Data			
*Torque	PSI	2220	
	ASME Class	900	
	Seat Material	in/lbs	N-M
1/4" FP	RTFE	53	6
3/8" FP	RTFE	53	6
1/2" FP	RTFE	53	6
3/4" FP	RTFE	70	8
1" FP	RTFE	88	10
1-1/4" FP	RTFE	416	47
1-1/2" FP	RTFE	416	45
2" FP	RTFE	602	68



\*All above torques are based upon clean liquid service. Factors such as temperature, number of cycles and media will effect torque and may require additional safety factors.