



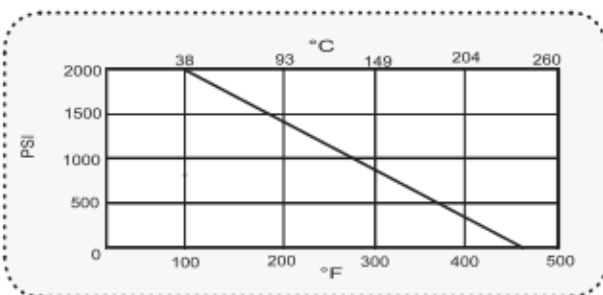
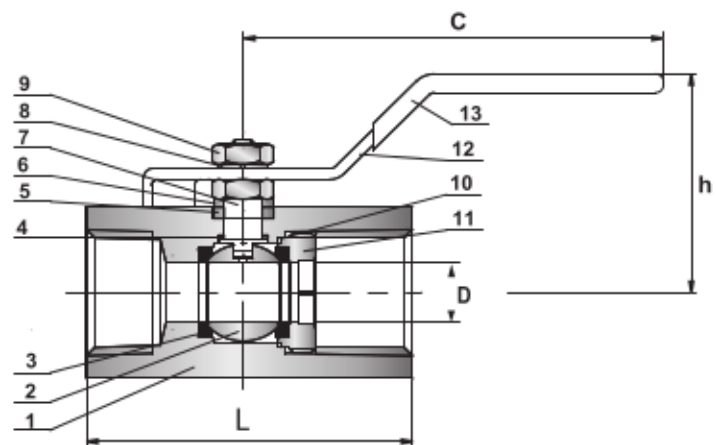
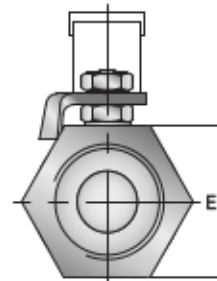
Style 413

Product Features

- AME B16.34 Wall Thickness
- Hex One Piece Barstock Body
- Blowout-Proof Stem
- 2000 WOG
- NPT Threads To ASME B1.20.1
- Reduced Port
- NACE MR-01-75 As a Standard
- Notched Body Stops For Him Open/Close Position



No.	PART	QTY	MATERIAL
1	BODY	1	ASTM A105N/A108
2	BALL	2	A 351 CF8M (316)
3	SEAT	1	RPTFE
4	THRUST WASHER	1	PTFE
5	PACKING	1	PTFE
6	GLAND	1	SS
7	STEM	1	316 SS
8	WASHER	1	SS
9	NUT	1	SS
10	GASKET	1	PTFE
11	SEAT RETAINER	1	ASTM A108 or WCB
12	HANDLE	1	SS
13	HANDLE GRIP	1	PLASTIC



Size		L		h		C		D		E		Weight	
in	mm	in	mm	in	mm	in	mm	in	mm	in	mm	lbs	kg
1/4"	6.4	1.7	43.2	1.3	31.8	2.6	66.7	0.20	5	0.8	21	0.26	0.12
3/8"	9.5	1.9	47.2	1.3	33.9	2.6	66.7	0.28	7	1.0	25.4	0.42	0.19
1/2"	12.7	2.5	62.5	2.2	55.5	4.6	118	0.36	9.2	1.2	30	0.73	0.33
3/4"	19.1	2.8	69.9	2.3	59	4.6	118	0.49	12.5	1.4	36	1.21	0.55
1"	25.4	3.4	85.9	2.6	65.4	4.7	120	0.63	16	1.8	46	2.11	0.96
1 1/4"	31.8	3.7	93.7	2.9	74	5.7	146	0.79	20	2.2	55	3.08	1.4
1 1/2"	38.1	4.0	101.6	3.1	78.7	5.7	146	0.96	24.5	2.4	61	3.74	1.7
2"	50.8	4.5	114.3	4.7	120	6.0	152.5	1.26	32	3.0	75	6.16	2.8

We reserve the right to modify dimensions or materials.

Dimensions +/- 0.059 in (+/- 1.5mm)

JAG flocomponents

CANADA: 8440 Roper Road Edmonton, AB T6E-6W4 • 780-485-2333 tel. • 780-485-2316 fax
 USA: 12315 Parc Crest Dr #190 • Stafford, TX 77477 • 281-933-5775 tel. • 281-933-5779 fax

CAN 413-1205
 PRINTED IN CANADA
 01/31/09 QTY2500