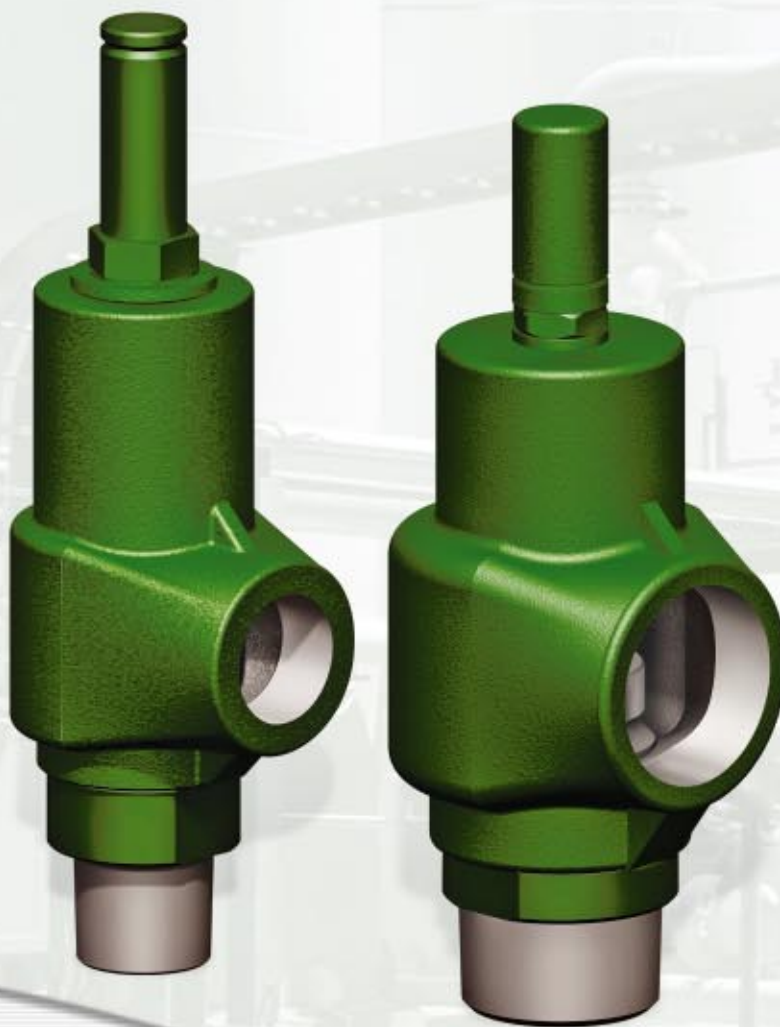


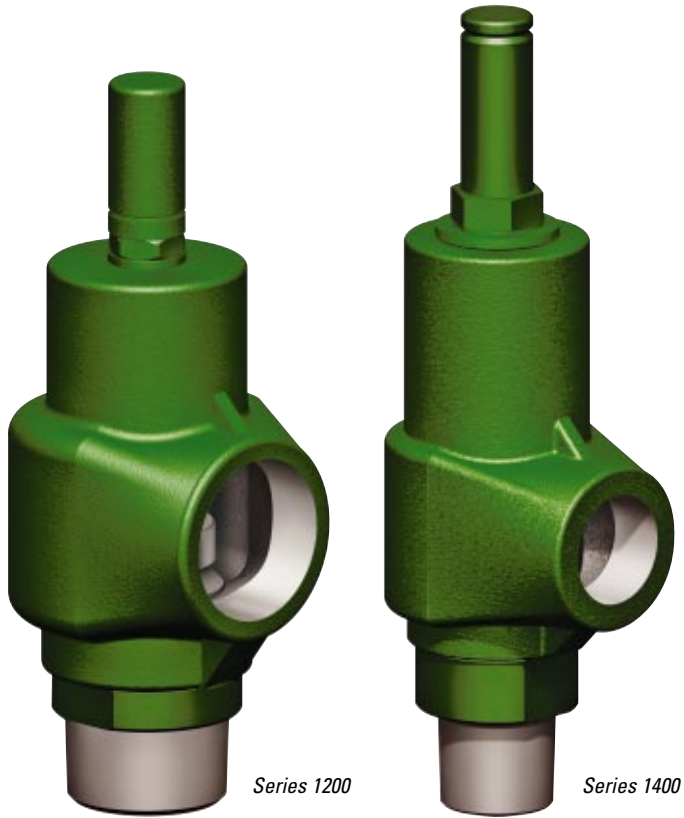


Series 1200/1400 Threaded Safety Relief Valves



Superior Pressure Relief Products

Hydroseal Series 1200/1400 Oilpatch Safety Relief Valves



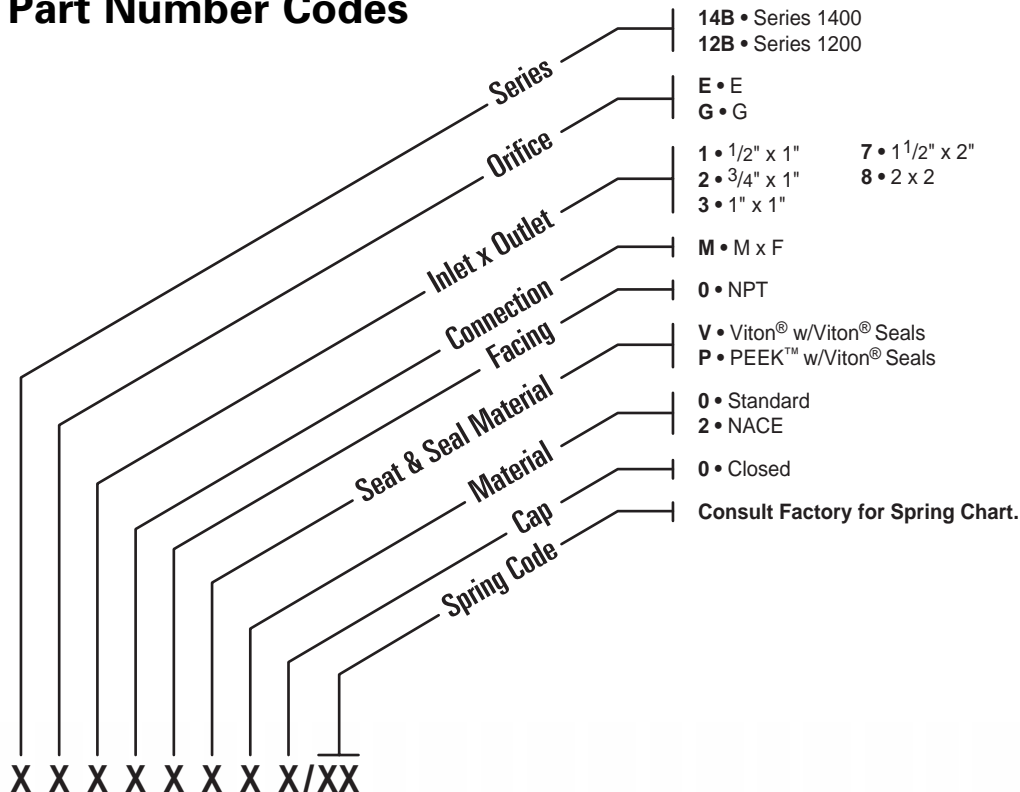
The Hydroseal Series 1200 and 1400 are economical safety relief valves that are ideal for gas compressors, separators, heater treaters, scrubbers, dehydrators, gas production units, pipelines and similar OEM applications.

The Series 1200 and 1400 are high performance valves manufactured to Hydroseal's rigorous quality standards. They are designed for high flow air, gas and liquid service at an economical price.

General Design Features

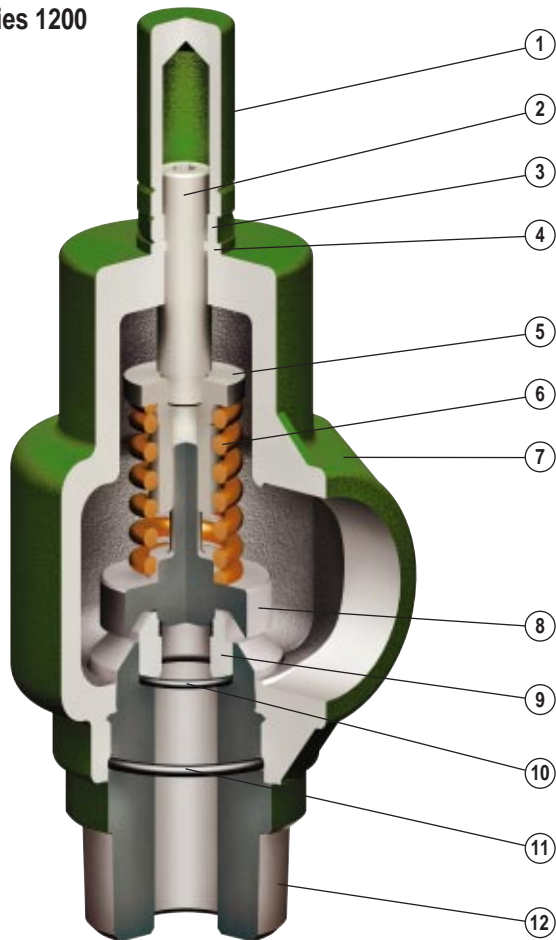
- Inlet Sizes 1/2" to 2" NPT
- Orifice Areas of 0.243 and 0.490 Square Inches
- NBBI Capacity Certified for Air/Gas and Liquids, ASME "UV" Code Stamped
- Temperature Range from
-15°F to 400°F
-26°C to 205°C
- Meets or Exceeds Competitor's Flow Rates

Part Number Codes

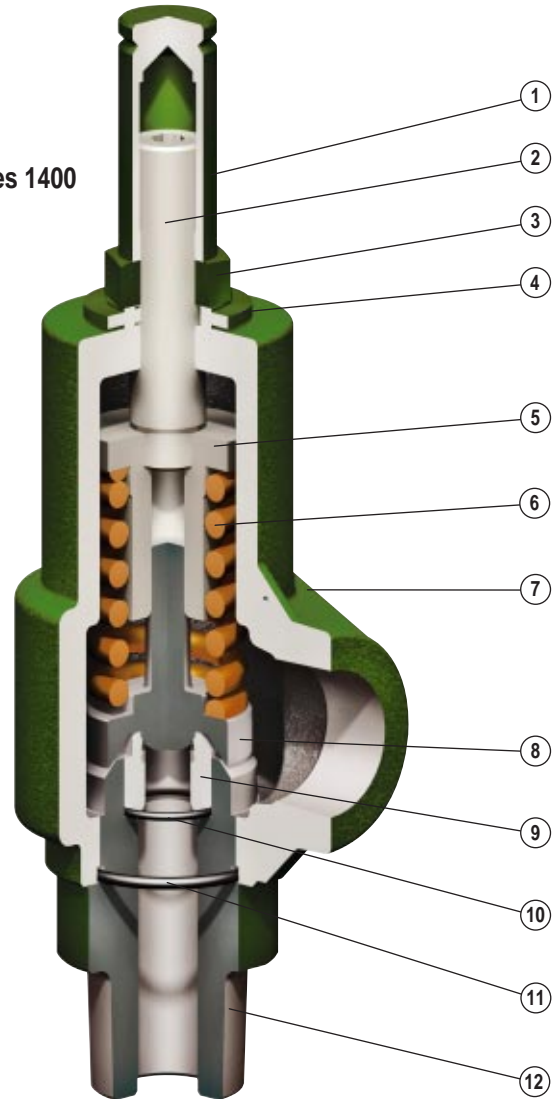


Hydroseal Series 1200/1400, Dimension Data, Parts List & Materials

Series 1200



Series 1400



Parts List & Materials

Index	Description	Material	
		Standard	NACE
1	Cap	Aluminum	Aluminum
2	Adjustment Screw	CS	CS
3	Jam Nut	CS	CS
4	Thread Seal Washer	CS	CS
5	Spring Adaptor	316	316
6	Spring	17/7	Inconel®
7	Body	WCC	WCC
8	Disc	17/4	17/4
9	Nozzle	17/4	17/4
10	O-Ring	Specify	Specify
11	O-Ring	Specify	Specify
12	Inlet Base	CS	CS

Dimension Data

Orifice	Inlet x Outlet	Dimension (in.)			Weight (approx.)
		A	B	C	
E	1/2 x 1	3.25	1.875	9.00	5
	3/4 x 1	3.25	1.875	9.00	5
	1 x 1	3.25	1.875	9.00	5
G	1 1/2 x 2	4.25	2.250	10.75	12
	2 x 2	4.25	2.250	10.75	12

Sizing Information

Series	Area	Gas KD	Liquid KD	Slope	Liq. Flow Factor	Diameter
1200	0.478	0.863	0.781	7.74	14.19	0.780
1400	0.212	0.890	0.781	3.46	6.29	0.520

Series 1200: High pressure 800-2000 psi uses PEEK™ seat. Low pressure 15-799 psi uses Viton® molded seat.

Series 1400: High pressure 941-2000 psi uses PEEK™ seat. Low pressure 15-940 psi uses Viton® molded seat.



Worldwide Sales Offices



Hydroseal, a leading brand of KF Industries, reaches into every corner of the globe serving the oil & gas and industrial marketplace. Supplying an extensive range of product offerings through a worldwide network of manufacturer representatives and distributors, Hydroseal is the right choice for all your pressure relief needs.

World Headquarters

Hydroseal
1500 S.E. 89th Street
Oklahoma City, OK 73149 USA
Phone: (405) 631-1533
Fax: (405) 631-5034
E-mail: sales@circorenergy.com
www.circorenergy.com

Local Representative



Registered to the ISO 9001
Quality System Standard,
accredited by U.K., Dutch
and German qualifying
authorities.



www.circorenergy.com