

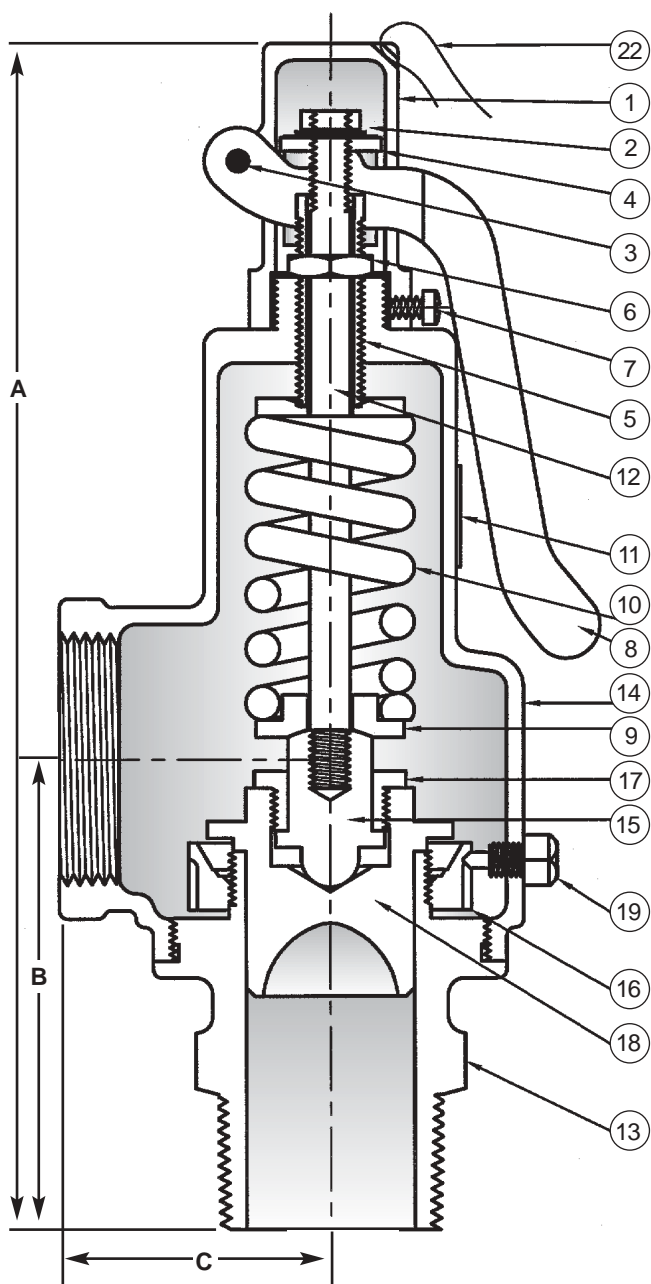
Brass Safety Relief Valves

- For air, gas and liquids
- Pressures to 300 psi
- Temperatures to 350° F
- 1/4" to 3" inlet sizes

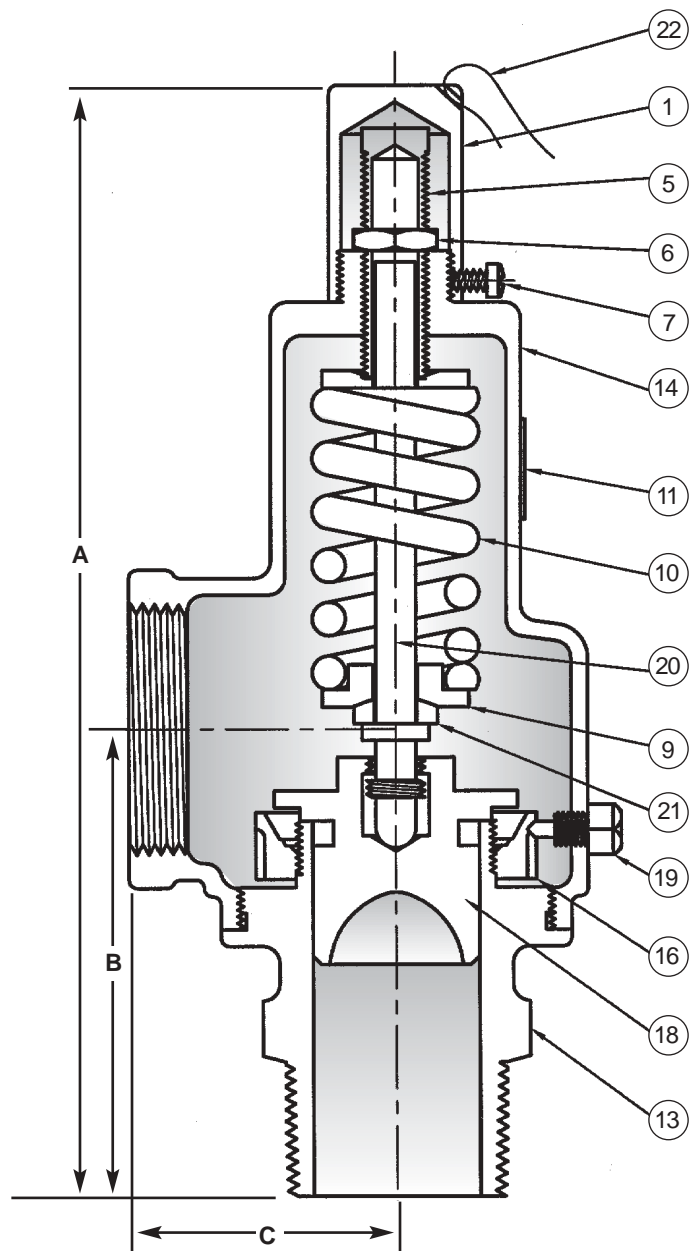
 **Hydroseal**
A Mallard Control Company



Brass Safety Relief Valves



SERIES 78
OPEN LIFT LEVER



SERIES 79
CLOSED CAP

Model Selection



78 SERIES

A INLET • OUTLET

78 - Open Lever
79 - Closed Cap
Maximum Temperature 350° F

TYPE	INLET • ORIFICE • OUTLET			DIMENSIONS				WEIGHT LBS	
	MNPT		FNPT	A	A	B	C	SERIES 78	SERIES 79
				SERIES 78	SERIES 79				
A	1/2"	1/2"	3/4"	6 7/8"	5 7/8"	2 1/2"	1 5/16"	2	1.5
B	3/4"	3/4"	1"	7 1/8"	6 1/8"	2 5/8"	1 1/2"	2.4	2
C	1"	1"	1 1/4"	7 7/8"	7 1/4"	3"	1 3/4"	3.2	3
D	1 1/4"	1 1/4"	1 1/2"	8 3/4"	8 5/16"	3 1/2"	2"	4.8	4.5
E	1 1/2"	1 1/2"	2"	9 7/8"	9 1/2"	3 5/8"	2 3/16"	7.0	6.5
F	2"	2"	2 1/2"	11 1/4"	10 7/8"	4"	2 5/8"	10.2	9.5
G	2 1/2"	2 1/2"	3"	13 5/8"	13"	5 1/4"	3 1/2"	21	20.2
H	3"	3"	3"	13 5/8"	13 1/8"	5 1/2"	3 1/2"	22	21

PARTS IDENTIFICATION & MATERIALS

ITEM	PART NAME	MATERIAL	ITEM	PART NAME	MATERIAL
1	CAP	Bronze	12	GUIDE STEM	Brass/Steel*
2	COTTER PIN	Steel	13	SEAT/BASE	Brass/Bronze
3	LIFT LEVER PIN	Brass	14	BODY	Bronze
4	LIFTER NUT	Brass/Steel*	15	SPRING PLATE SUPPORT	Steel*
5	ADJUSTING SCREW	Brass	16	BLOW DOWN RING	Bronze
6	LOCKNUT	Brass	17	DISC NUT	Brass
7	CAP SCREW	Brass	18	DISC	Bronze
8	LIFT LEVER	Bronze	19	LOCK SCREW	Brass
9	SPRING PLATE	Steel*	20	GUIDE STEM/SUPPORT	Brass/Steel
10	SPRING	Oil-tempered Steel*	21	SPRING PLATE RING SUPPORT	Steel
11	NAME PLATE	Aluminum	22	SEAL WIRE	Steel

BRASS - 360 ALLOY - ASTM - B-16
BRONZE - 85-5-5-5 - ASTM - B-61-62
*ZINC-PLATED

STAINLESS STEEL SPRING OPTION AVAILABLE

TOP-VENTED, SMALL BRASS RELIEF VALVE

For Maximum Pressure of 200 PSI and Maximum Temperature of 300°F

Specify operating temperature if above 180°F



SERIES 30

1/4" NPT Inlet by 1/2" Seat

Series 78-79 Brass Valves



AIR CAPACITY IN CUBIC FEET PER MINUTE [SCFM] Capacity At 10% Over Set Pressure

SEAT DESIGNATION AND SIZE								
SET PRESSURE PSI	A	B	C	D	E	F	G	H
	1/2"	3/4"	1"	1 1/4"	1 1/2"	2"	2 1/2"	3"
5	12	18	45	69	96	146	271	343
10	15	23	56	86	121	183	348	441
15	19	27	67	104	145	220	418	530
20	22	32	79	122	170	257	492	623
25	25	37	90	139	194	294	565	717
30	28	41	101	157	219	331	639	810
40	35	51	124	191	268	405	787	997
50	41	60	147	222	317	479	934	1184
75	57	83	204	314	440	664	1302	1650
100	73	106	261	402	562	849	1671	2117
110	80	116	283	437	611	922	1818	2304
125	89	130	317	489	684	1034	2039	2584
150	105	153	374	577	807	1219	2408	3051
175	121	176	431	665	929	1404	2776	3518
200	137	199	488	752	1052	1590	3145	3985
225	153	222	545	840	1174	1775	3513	4452
250	169	246	602	927	1297	1960	3882	4919
300	201	292	715	1103	1542	2329	4588	5847

WATER CAPACITY IN GALLONS PER MINUTE [GPM] At 25% Over Set Pressure

SEAT DESIGNATION AND SIZE								
SET PRESSURE PSI	A	B	C	D	E	F	G	H
	1/2"	3/4"	1"	1 1/4"	1 1/2"	2"	2 1/2"	3"
5	3	4	8	12	17	22	33	44
10	4	6	8	17	24	31	46	62
15	5	7	13	21	29	38	56	76
20	5	8	15	24	34	44	65	88
25	6	9	17	27	38	49	73	98
30	7	10	19	29	41	53	80	107
40	8	11	22	34	48	62	92	124
50	9	12	24	38	53	69	103	139
75	11	15	30	47	65	85	126	170
100	13	18	34	54	76	98	146	196
110	13	19	36	56	79	102	153	206
125	14	20	38	60	85	109	163	219
150	15	22	42	66	93	120	178	240
175	16	23	45	71	100	129	193	259
200	17	25	48	76	107	138	206	277
250	20	28	54	85	120	154	230	310
300	22	31	59	93	131	169	252	340



1610 US Hwy. 259 N. • Kilgore, Texas 75662
903-984-8574 • Fax 903-984-6307

