

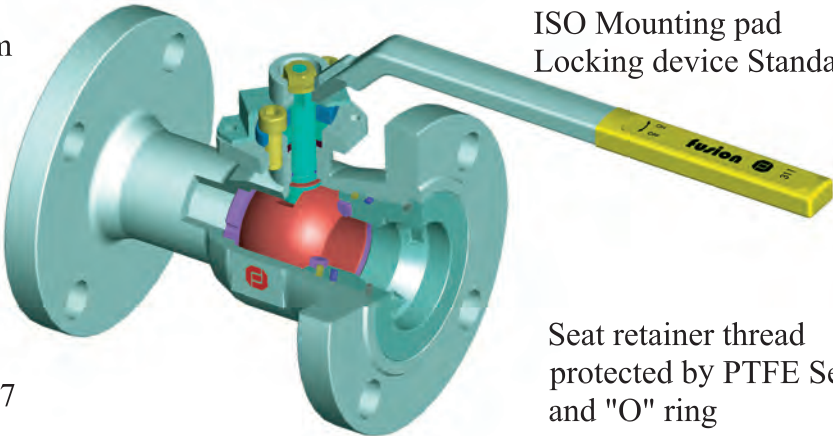
SERIES 311



Unibody Regular Port Flange Valve 3/4"~8" Class 150/Class 300 Raised Face

Single piece body eliminate the possible leak path body/body end

Blowout proof stem
with "O" ring
Anti-static



ISO Mounting pad
Locking device Standard

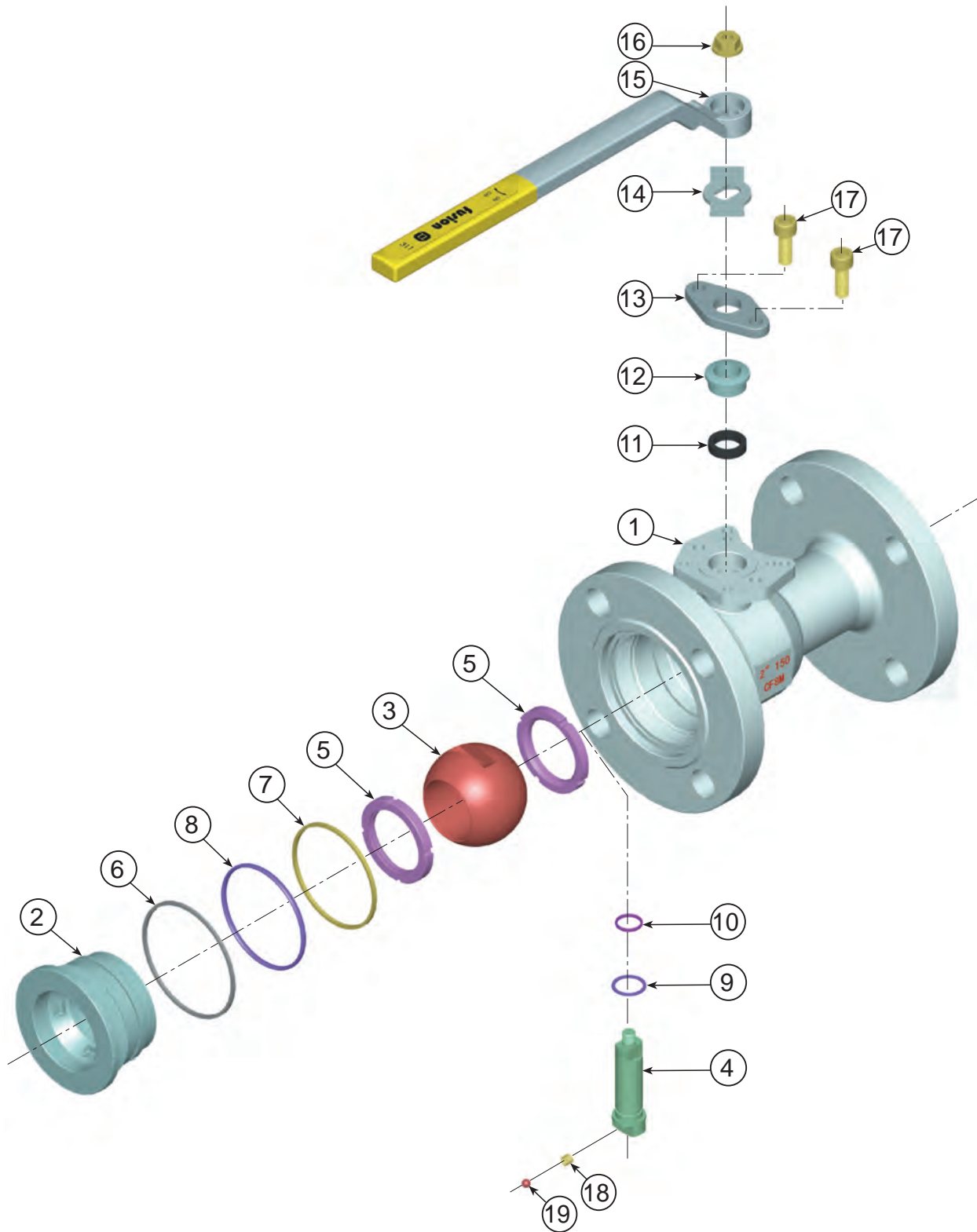
Fire safe to API 607

Seat retainer thread
protected by PTFE Seal
and "O" ring

SERIES 311

Class 150 and Class 300

FLANGED BALL VALVE REGULAR PORT



SERIES 311

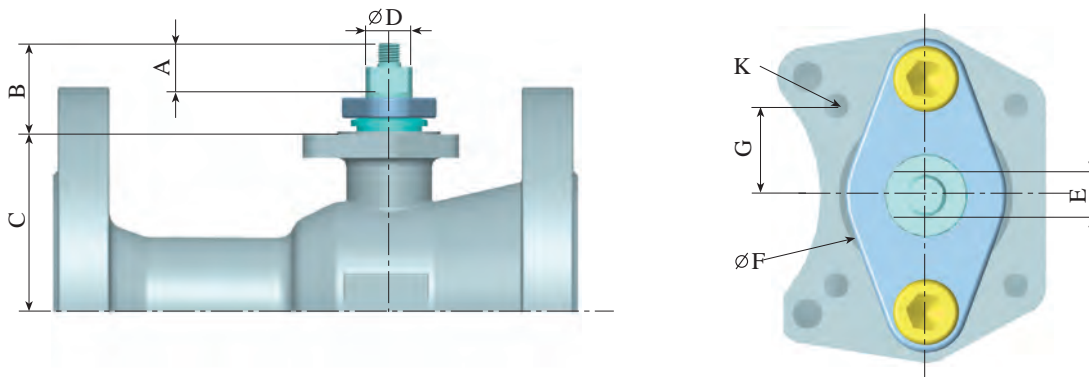


MATERIALS LIST

ITEM	PART	STAINLESS STEEL	SOUR LOW TEMP (NACE)	SOUR (NACE)	Q' TY
1	BODY	ASTM A351 CF8M	ASTM A352 LCC	ASTM A216 WCB	1
2	SEAT RETAINER	A8TM A351 CF8M	ASTM A350 LF2	ASTM A105N	1
3	BALL	ASTM A351 CF8M	ASTM A351 CF8M	ASTM A351 CF8M	1
4	STEM	ASTM A479 316	ASTM A479 316	ASTM A479 316	1
☆ 5	SEAT	RTFE	RTFE	RTFE	2
☆ 6	BODY GASKET	GRAPHITE	GRAPHITE	GRAPHITE	1
☆ 7	BODY SMALL GASKET	PTFE	PTFE	PTFE	1
☆ 8	BODY O-RING	VITON	VITON	VITON	1
☆ 9	THRUST WASHER	RTFE	RTFE	RTFE	1
☆ 10	STEM O-RING	VITON	VITON	VITON	1
☆ 11	PACKING	GRAPHITE	GRAPHITE	GRAPHITE	1
12	GLAND	304SS	A108	A108	1
13	GLAND FLANGE	CF8	C/S	C/S	1
14	STOPER	304SS	C/S	C/S	1
15	HANDLE	CF8	C/S	C/S	1
16	HANDLE NUT	304SS	C/S	C/S	1
17	CAP SCREWS	ASTM A193 B8	ASTM A193 B8	ASTM A193 B7M	2
18	SPRING	304SS	304SS	304SS	1
19	ANTISTATIC BALL	304SS	304SS	304SS	1

Note:☆ Minor repair kit;

ACTUATOR MOUNTING DIMENSIONS



DIMENSIONS

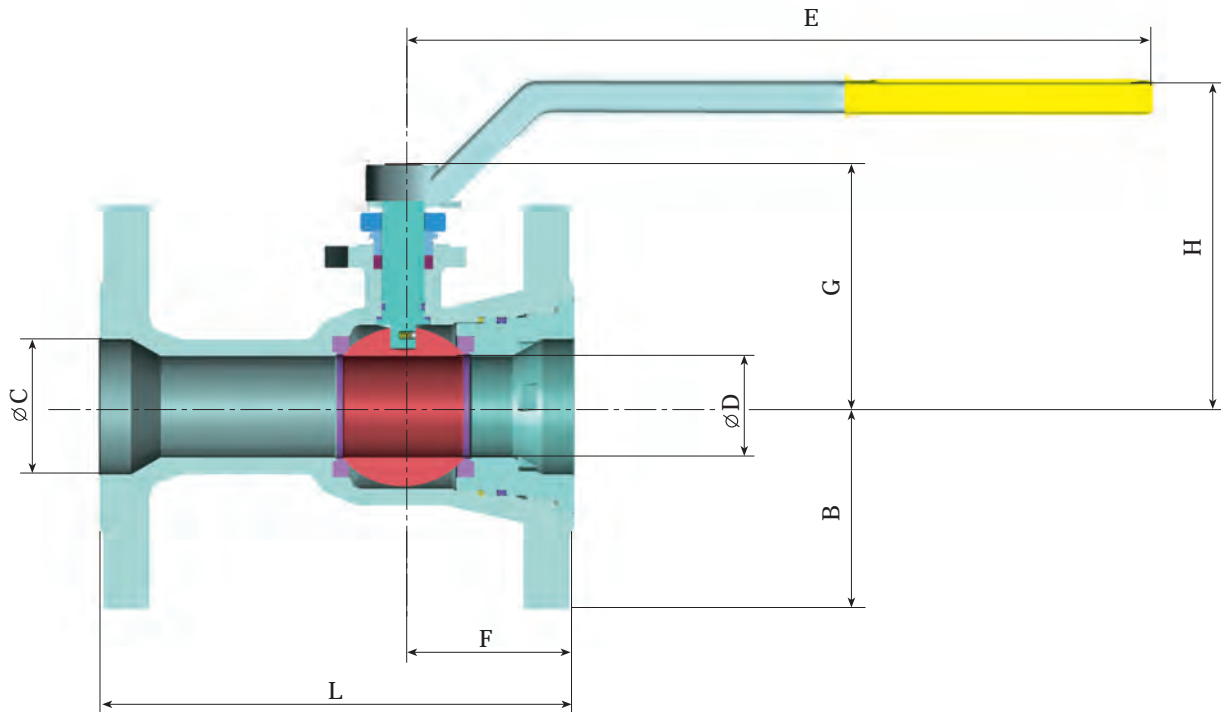
SIZE	CLASS/PN	A	B	C	D	E	F	G	K
		in / mm	in / mm	in / mm	in / mm	in / mm	in / mm	in / mm	mm
3/4 / 20	150 / 20	0.37 / 9.5	0.79 / 20	0.98 / 25	0.39 / 10	0.20 / 5	0.75 / 19	0.39 / 9.9	M5
	300 / 50	0.37 / 9.5	0.79 / 20	0.98 / 25	0.39 / 10	0.20 / 5	0.75 / 19	0.39 / 9.9	M5
1 / 25	150 / 20	0.37 / 9.5	0.81 / 20.5	1.28 / 32.5	0.39 / 10	0.20 / 5	0.98 / 25	0.50 / 12.7	M6
	300 / 50	0.37 / 9.5	0.81 / 20.5	1.28 / 32.5	0.39 / 10	0.20 / 5	0.98 / 25	0.80 / 12.7	M6
1 1/2 / 40	150 / 20	0.39 / 10	0.89 / 22.5	1.99 / 50.5	0.47 / 12	0.24 / 6	1.18 / 30	0.58 / 14.8	M6
	300 / 50	0.39 / 10	0.89 / 22.5	1.99 / 50.5	0.47 / 12	0.24 / 6	1.18 / 30	0.58 / 14.8	M6
2 / 50	150 / 20	0.67 / 17	1.24 / 31.5	2.34 / 59.5	0.63 / 16	0.37 / 9.5	1.38 / 35	0.70 / 17.7	M6
	300 / 50	0.67 / 17	1.24 / 31.5	2.34 / 59.5	0.63 / 16	0.37 / 9.5	1.38 / 35	0.70 / 17.7	M6
2 1/2 / 65	150 / 20	0.67 / 17	1.24 / 31.5	2.70 / 68.5	0.63 / 16	0.37 / 9.5	1.38 / 35	0.70 / 17.7	M6
	300 / 50	0.67 / 17	1.24 / 31.5	2.70 / 68.5	0.63 / 16	0.37 / 9.5	1.38 / 35	0.70 / 17.7	M6
3 / 80	150 / 20	0.87 / 22	1.69 / 43	3.11 / 79.0	0.79 / 20	0.47 / 12	2.17 / 55	0.97 / 24.7	M8
	300 / 50	0.87 / 22	1.69 / 43	3.11 / 79.0	0.79 / 20	0.47 / 12	2.17 / 55	0.97 / 24.7	M8
4 / 100	150 / 20	0.87 / 22	1.65 / 42	3.54 / 90.0	0.79 / 20	0.47 / 12	2.17 / 55	0.97 / 24.7	M8
	300 / 50	0.87 / 22	1.65 / 42	3.54 / 90.0	0.79 / 20	0.47 / 12	2.17 / 55	0.97 / 24.7	M8
6 / 150	150 / 20	1.32 / 33.5	2.32 / 59	4.76 / 121	1.50 / 38	0.94 / 24	2.76 / 70	1.42 / 36.1	M10
	300 / 50	1.32 / 33.5	2.32 / 59	4.76 / 121	1.50 / 38	0.94 / 24	2.76 / 70	1.42 / 36.1	M10
8 / 200	150 / 20	1.32 / 33.5	2.32 / 59	6.30 / 160	1.50 / 38	0.94 / 24	3.38 / 85	1.74 / 44.2	M12
	300 / 50	1.32 / 33.5	2.32 / 59	6.30 / 160	1.50 / 38	0.94 / 24	3.35 / 85	1.74 / 44.2	M12

SERIES 311



Class 150 and Class 300

FLANGED BALL VALVE REGULAR PORT



DIMENSIONS

SIZE in / DN	CLASS/PN	D	C	L	F	B	G	H	E	Cv gal/min
		in / mm	in / mm	in / mm	in / mm	in / mm	in / mm	in / mm	in / mm	
3/4 / 20	150 / 20	0.50 / 13	0.75 / 19	4.62 / 117	2.01 / 51	1.94 / 49	1.78 / 45	3.69 / 94	6.30 / 160	10
	300 / 50	0.50 / 13	0.75 / 19	6.00 / 152	2.01 / 51	2.31 / 59	1.78 / 45	3.69 / 94	6.30 / 160	10
1 / 25	150 / 20	0.75 / 19	1.00 / 25	5.00 / 127	2.15 / 55	2.13 / 54	2.07 / 53	3.98 / 101	6.30 / 160	27
	300 / 50	0.75 / 19	1.00 / 25	6.50 / 165	2.15 / 55	2.44 / 62	2.07 / 53	3.98 / 101	6.30 / 160	27
1 1/2 / 40	150 / 20	1.25 / 32	1.50 / 38	6.50 / 165	2.52 / 64	2.50 / 64	2.88 / 73	4.45 / 113	7.09 / 180	96
	300 / 50	1.25 / 32	1.50 / 38	7.50 / 191	2.52 / 64	3.06 / 78	2.88 / 73	4.45 / 113	7.09 / 180	96
2 / 50	150 / 20	1.50 / 38	2.00 / 50	7.00 / 178	2.76 / 70	3.01 / 77	3.57 / 91	4.78 / 121	11.02 / 280	110
	300 / 50	1.50 / 38	2.00 / 50	8.50 / 216	2.76 / 70	3.25 / 83	3.57 / 91	4.78 / 121	11.02 / 280	110
2 1/2 / 65	150 / 20	2.00 / 50	2.50 / 64	7.50 / 190	2.99 / 76	3.50 / 89	3.92 / 100	5.12 / 130	11.02 / 280	220
	300 / 50	2.00 / 50	2.50 / 64	9.50 / 241	2.99 / 76	3.75 / 95	3.92 / 100	5.12 / 130	11.02 / 280	220
3 / 80	180 / 20	2.50 / 64	3.00 / 76	8.00 / 203	3.54 / 90	3.76 / 96	4.80 / 122	5.83 / 148	14.17 / 360	390
	300 / 50	2.50 / 64	3.00 / 76	11.12 / 283	3.54 / 90	4.13 / 105	4.80 / 122	5.83 / 148	14.17 / 360	390
4 / 100	150 / 20	3.00 / 76	4.00 / 102	9.00 / 229	3.78 / 96	4.50 / 115	5.20 / 132	6.22 / 158	14.17 / 360	450
	300 / 50	3.00 / 76	4.00 / 102	12.00 / 305	3.78 / 96	5.00 / 127	5.20 / 132	6.22 / 158	14.17 / 360	450
6 / 150	150 / 20	3.94 / 100	5.91 / 150	10.50 / 267	4.72 / 120	5.50 / 140	7.07 / 180	7.87 / 200	17.72 / 450	640
	300 / 50	3.94 / 100	5.91 / 150	15.88 / 403	4.72 / 120	6.25 / 159	7.07 / 180	7.87 / 200	17.72 / 450	640
8 / 200	150 / 20	5.91 / 150	7.87 / 200	11.50 / 292	4.92 / 125	6.75 / 172	8.60 / 219	9.41 / 239	17.72 / 450	1650
	300 / 50	5.91 / 150	7.87 / 200	16.50 / 419	4.92 / 125	7.50 / 191	8.60 / 219	9.41 / 239	17.72 / 450	1650

NOTE: "L" DIMENSION ± 0.06 in./1.5 mm