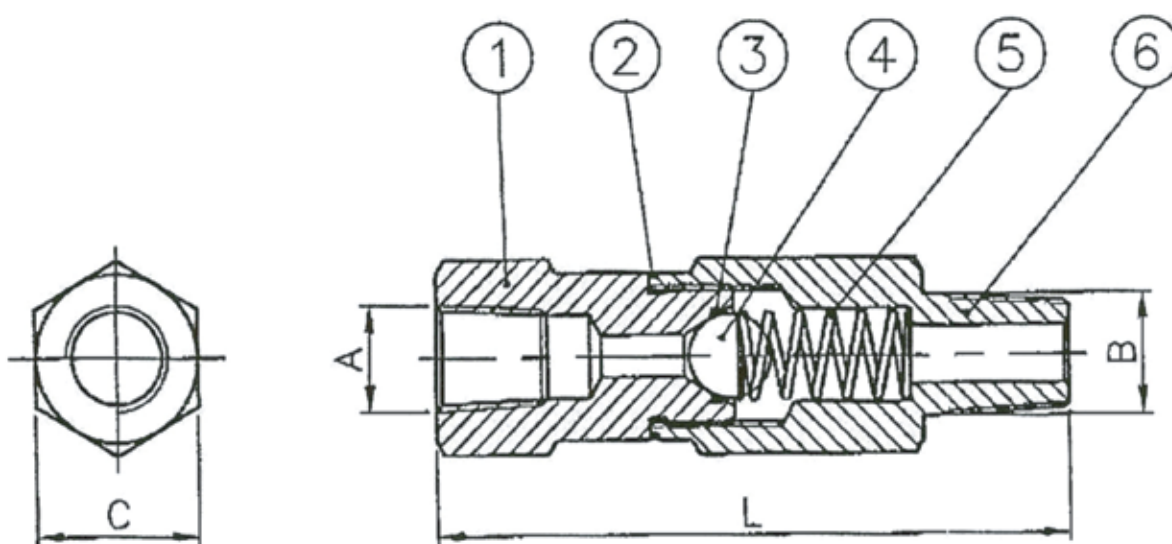


# BRASS IN-LINE CHECK VALVE SERIES: INCVBR 3000 PSI PRESSURE RATING



Note :

1. Dimensions for reference purpose and are subject to change.
2. Pressure rating : 3000 psi

## SPECIFICATIONS

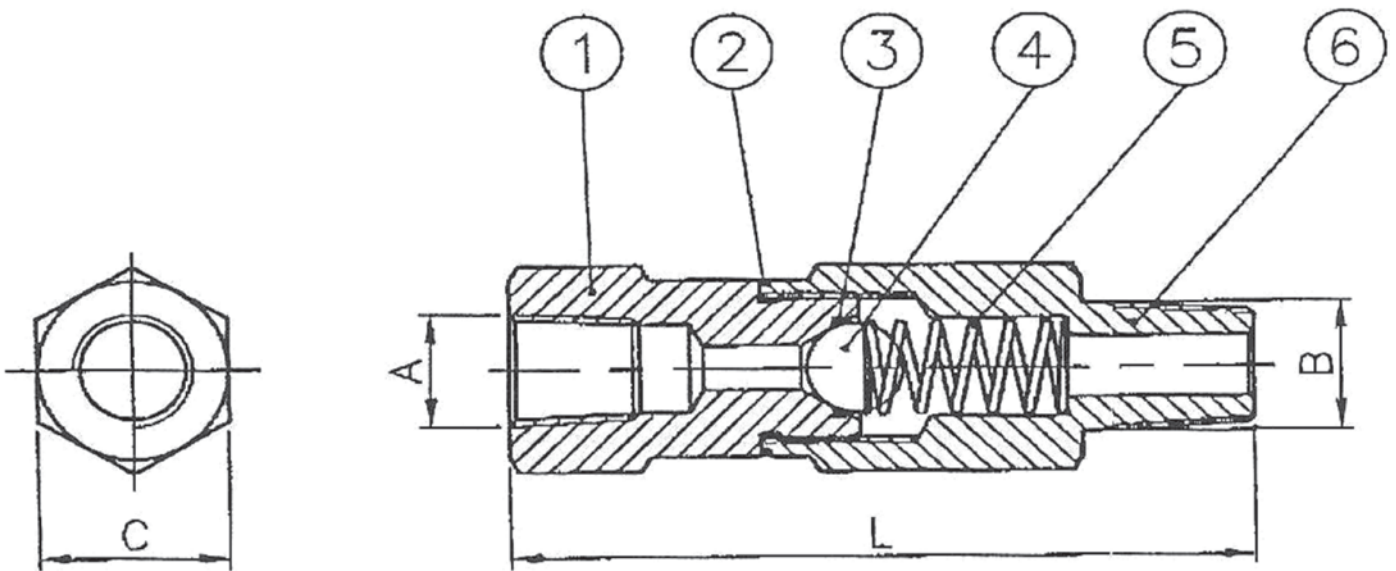
	PART	MATERIAL
1	VALVE BODY (INLET)	BRASS
2	PACKING	SS 316
3	O-RING	VITON/BUNA
4	CHECK BALL	SS 304
5	SPRING	SS 304
6	VALVE BODY (OUTLET)	BRASS

## DIMENSIONS (INCH)

SIZE	A	B	C	L
1/8"	1/8" NPT	1/8" NPT	0.75	2.92
1/4"	1/4" NPT	1/4" NPT	0.75	2.92

\* Due to the continuous development of our products, design or construction may change without prior notice

**STAINLESS STEEL IN-LINE CHECK VALVE**  
**SERIES: INCVSS**  
**6000 PSI PRESSURE RATING**  
**NACE MR0175**



**SPECIFICATIONS**

	PART	MATERIAL
1	VALVE BODY (INLET)	SS 316
2	PACKING	SS 316
3	O-RING	VITON/BUNA
4	BALL	SS 304
5	SPRING	SS 304
6	VALVE BODY (OUTLET)	SS 316

**DIMENSIONS (INCH)**

SIZE	A	B	C	L
1/8"	1/8" NPT	1/8" NPT	0.75	2.92
1/4"	1/4" NPT	1/4" NPT	0.75	2.92
1/2"	1/2" NPT	1/2" NPT	1.06	2.97

*\* Due to the continuous development of our products, design or construction may change without prior notice*