



FORGED STEEL PISTON CHECK VALVE SERIES: 871

STANDARD PORT
CLASS 800

BOLTED COVER

HALF STELLITE TRIM

CONFORM TO API 602

THREADS CONFORM TO ASME B1.20.1 (NPT)

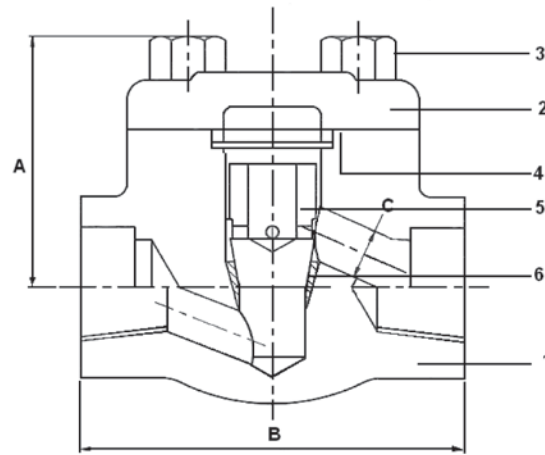
NACE MR0175

SPECIFICATIONS

	PART	MATERIAL
1	BODY	FORGED CARBON STEEL ASTM A 105
2	COVER	FORGED CARBON STEEL ASTM A 105
3	BOLT	ALLOY STEEL ASTM A193-B7
4	GASKET	GRAPHITE
5	DISC	SATINLESS STEEL
6	SEAT	INTEGRAL + HF

DIMENSIONS

NPS	PART #	A	B	C
3/8"	871T03	2.40		0.39
1/2"	871T04	2.40	3.11	0.51
3/4"	871T05	3.07	3.62	0.69
1"	871T06	3.31	4.37	0.91
1 1/4"	871T07	4.06	4.72	1.18
1 1/2"	871T08	4.65	5.98	1.38
2"	871T09	5.20	6.77	1.81



STANDARD PORT
CLASS 800

BOLTED COVER

HALF STELLITE TRIM

CONFORM TO API 602

THREADS CONFORM TO ASME B1.20.1 (NPT)

NACE MR0175

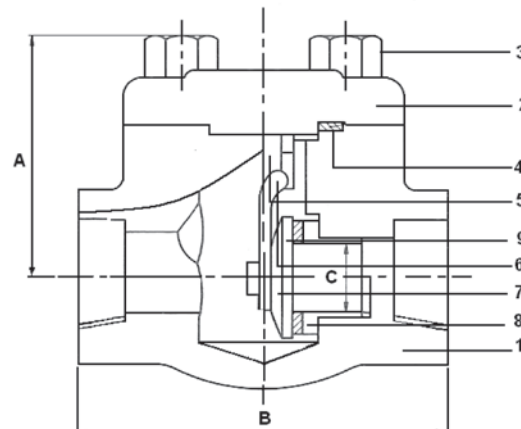
SPECIFICATIONS

NPS	PART #	A	B	C
1/2"	876T04	2.40	3.11	0.41
3/4"	876T05	2.40	3.62	0.53
1"	876T06	3.07	4.37	0.71
1 1/4"	876T07	3.31	4.72	0.94
1 1/2"	876T08	3.31	4.72	1.14
2"	876T09	4.72	5.51	1.44

DIMENSIONS

	PART	MATERIAL
1	BODY	FORGED CARBON STEEL ASTM A 105
2	COVER	FORGED CARBON STEEL ASTM A 105
3	BOLT	ALLOY STEEL ASTM A193-B7
4	GASKET	GRAPHITE
5	DISC	SATINLESS STEEL
6	SEAT RING	SATINLESS STEEL
7	SUPPORTER	SATINLESS STEEL
8	HINGE PIN	SATINLESS STEEL
9	HINGE	SATINLESS STEEL

FORGED STEEL SWING CHECK VALVE SERIES: 876



* Due to the continuous development of our products, design or construction may change without prior notice