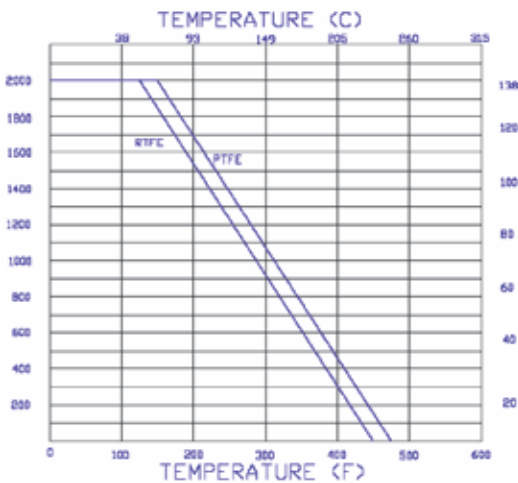
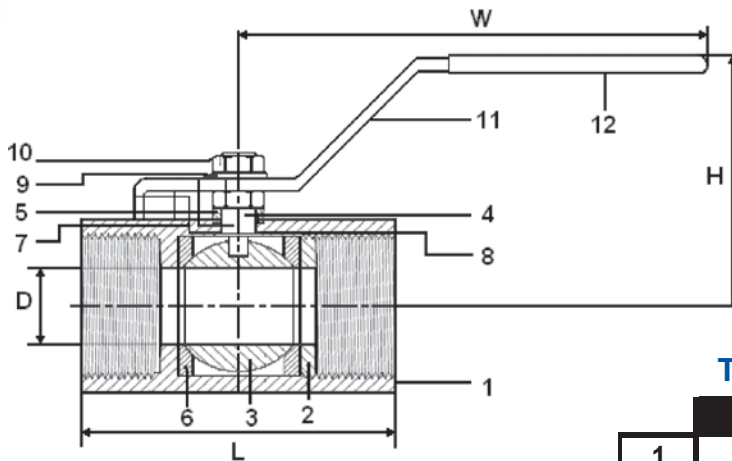
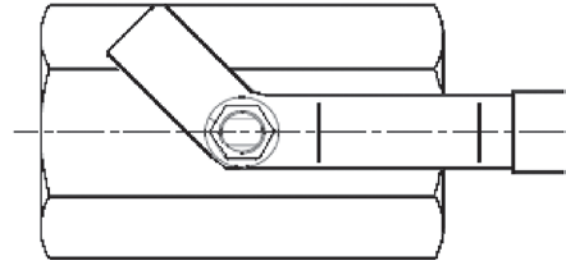


1 PIECE CARBON STEEL BALL VALVE

SERIES: 2017C



SPECIFICATIONS

REDUCED PORT

2000 W.O.G.

1 PIECE BODY

NACE APPROVED

BLOW OUT PROOF STEM

PTFE SEAL AND PACKING

THREADS CONFORM TO ASME B1.20.1 (NPT)

PART	MATERIAL
1	BODY ASTM A108
2	RETAINER ASTM A108
3	BALL ASTM A351-CF8M
4	STEM ASTM A276-316
5	GLAND RING ASTM A108
6	BALL SEAT PTFE
7	THRUST WASHER PTFE
8	PACKING PTFE
9	SPRING WASHER AISI 304
10	STEM NUT AISI 304
11	HANDLE AISI 304
12	HANDLE SLEEVE PVC

DIMENSIONS

NPS	PART #	D	L	H	W	WEIGHT
1/4"	2017C02	0.20	1.86	1.12	2.40	0.35
3/8"	2017C03	0.28	1.86	1.32	3.39	0.35
1/2"	2017C04	0.35	2.45	2.38	4.33	0.75
3/4"	2017C05	0.49	2.75	2.44	4.33	1.05
1"	2017C06	0.59	3.38	2.63	4.76	2.05
1 1/4"	2017C07	0.79	3.69	3.25	5.75	3.10
1 1/2"	2017C08	0.98	4.00	3.25	5.75	4.00
2"	2017C09	1.26	4.50	3.44	5.98	6.45

* Due to the continuous development of our products, design or construction may change without prior notice