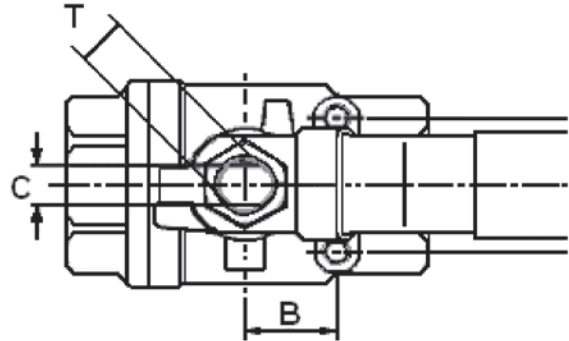


2 PIECE STAINLESS - SEAL WELDED BALL VALVE

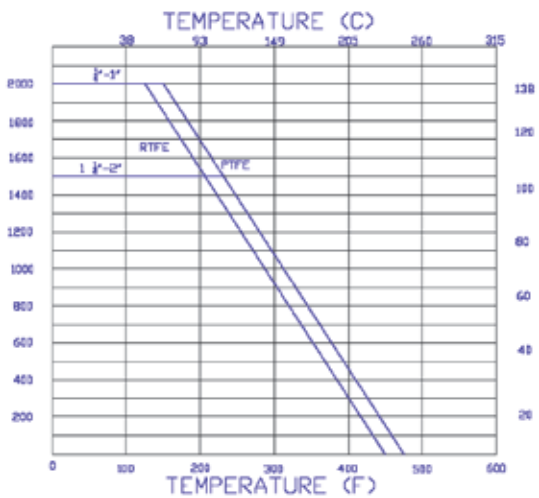
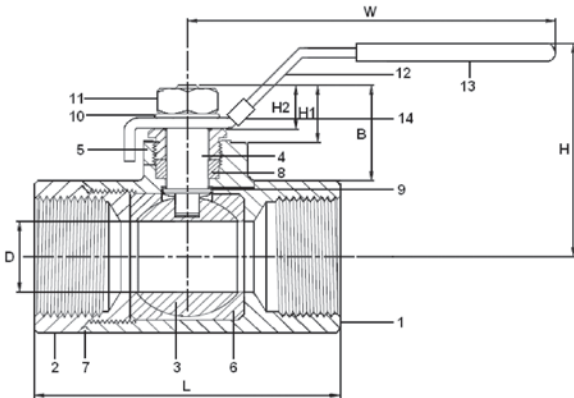
SERIES: 2006WSW



SPECIFICATIONS

FULL PORT
2000 W.O.G.

2 PIECE SEAL WELDED BODY W/MOUNTING PAD
NACE APPROVED
BLOW OUT PROOF STEM
PTFE/RPTFE SEAL AND PACKING
LOCKING HANDLE
THREADS CONFORM TO ASME B1.20.1 (NPT)



PART	MATERIAL
1	BODY ASTM A351-CF8M / 1.4408(316SS)
2	CAP ASTM A351-CF8M / 1.4408(316SS)
3	BALL ASTM A351-CF8M (316SS)
4	STEM ASTM A276-316
5	GLAND NUT AISI 304
6	BALL SEAT PTFE/RPTFE
7	BODY SEAL PTFE
8	PACKING PTFE/RPTFE
9	THRUST WASHER PTFE
10	SPRING WASHER AISI 304
11	STEM NUT AISI 304
12	HANDLE AISI 304
13	HANDLE SLEEVE PVC
14	LOCK DEVICE AISI 304

DIMENSIONS

NPS	PART #	D	L	H	H1	H2	W	S	B	C	T	TORQUE	WEIGHT
1/4"	2006WSW02	0.45	2.25	1.96	0.98	0.43	3.93	1.10	0.55	0.19	0.30	22.13	0.70
3/8"	2006WSW03	0.50	2.25	1.96	0.98	0.43	3.93	1.10	0.55	0.19	0.30	22.13	0.70
1/2"	2006WSW04	0.50	2.51	1.96	0.98	0.43	3.93	1.10	0.55	0.19	0.30	26.55	1.15
3/4"	2006WSW05	0.78	2.95	2.36	1.24	0.62	4.92	1.37	0.86	0.25	0.37	44.25	1.75
1"	2006WSW06	0.98	3.55	2.75	1.43	0.70	6.29	1.37	0.86	0.31	0.42	61.95	2.20
1 1/4"	2006WSW07	1.25	4.02	3.14	1.43	0.70	6.29	1.49	0.94	0.31	0.42	88.51	4.00
1 1/2"	2006WSW08	1.49	4.55	3.54	1.67	0.80	7.48	1.49	0.94	0.35	0.49	132.76	5.00
2"	2006WSW09	1.96	5.41	3.54	1.67	0.72	7.48	1.49	0.94	0.35	0.49	177.01	8.20

* Due to the continuous development of our products, design or construction may change without prior notice