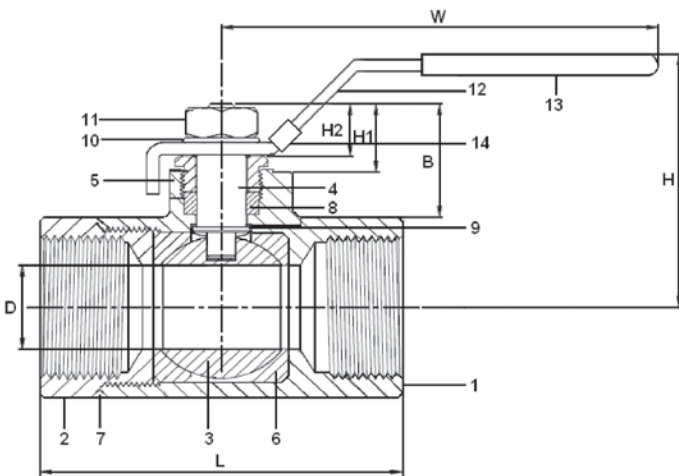
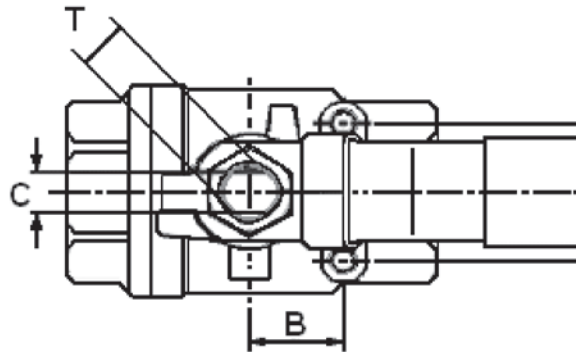


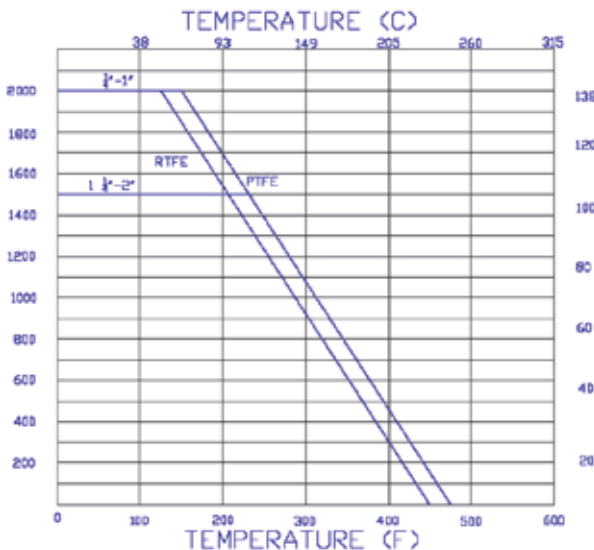
2 PIECE CARBON STEEL BALL VALVE

SERIES: 2006WC



SPECIFICATIONS

- FULL PORT**
- 2000 W.O.G.**
- 2 PIECE CAST BODY W/ MOUNTING PAD**
- NACE APPROVED**
- BLOW OUT PROOF STEM**
- PTFE/RPTFE SEAL AND PACKING**
- LOCKING HANDLE**
- THREADS CONFORM TO ASME B1.20.1 (NPT)**



| PART | MATERIAL |
|------|--------------------------------------|
| 1 | BODY ASTM A216-WCB (CARBON STEEL) |
| 2 | CAP ASTM A351-CF8M (316SS) |
| 3 | BALL ASTM A351-CF8M (316SS) |
| 4 | STEM ASTM A276-316 |
| 5 | GLAND NUT AISI 304 |
| 6 | BALL SEAT PTFE/RPTFE |
| 7 | BODY SEAL PTFE |
| 8 | PACKING PTFE/RPTFE |
| 9 | THRUST WASHER PTFE |
| 10 | SPRING WASHER AISI 304 |
| 11 | STEM NUT AISI 304 |
| 12 | HANDLE AISI 304 |
| 13 | HANDLE SLEEVE PVC |
| 14 | LOCK DEVICE AISI 304 |

DIMENSIONS

| NPS | PART # | D | L | H | H1 | H2 | W | S | B | C | T | TORQUE | WEIGHT |
|--------|----------|------|------|------|------|------|------|------|------|------|------|--------|--------|
| 1/4" | 2006WC02 | 0.45 | 2.25 | 1.96 | 0.98 | 0.43 | 3.93 | 1.10 | 0.55 | 0.19 | 0.30 | 22.13 | 0.70 |
| 3/8" | 2006WC03 | 0.50 | 2.25 | 1.96 | 0.98 | 0.43 | 3.93 | 1.10 | 0.55 | 0.19 | 0.30 | 22.13 | 0.70 |
| 1/2" | 2006WC04 | 0.50 | 2.51 | 1.96 | 0.98 | 0.43 | 3.93 | 1.10 | 0.55 | 0.19 | 0.30 | 26.55 | 1.15 |
| 3/4" | 2006WC05 | 0.78 | 2.95 | 2.36 | 1.24 | 0.62 | 4.92 | 1.37 | 0.86 | 0.25 | 0.37 | 44.25 | 1.75 |
| 1" | 2006WC06 | 0.98 | 3.55 | 2.75 | 1.43 | 0.70 | 6.29 | 1.37 | 0.86 | 0.31 | 0.42 | 61.95 | 2.20 |
| 1 1/4" | 2006WC07 | 1.25 | 4.02 | 3.14 | 1.43 | 0.70 | 6.29 | 1.49 | 0.94 | 0.31 | 0.42 | 88.51 | 4.00 |
| 1 1/2" | 2006WC08 | 1.49 | 4.55 | 3.54 | 1.67 | 0.80 | 7.48 | 1.49 | 0.94 | 0.35 | 0.49 | 132.76 | 5.00 |
| 2" | 2006WC09 | 1.96 | 5.41 | 3.54 | 1.67 | 0.72 | 7.48 | 1.49 | 0.94 | 0.35 | 0.49 | 177.01 | 8.20 |

* Due to the continuous development of our products, design or construction may change without prior notice